

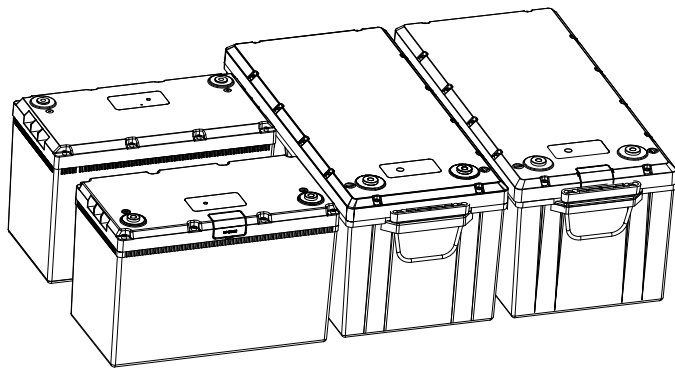


New Generation 12.8V / 25.6V Li-ion Battery User's Guide

End User Documentation

Rev 1.0

Mar -01-2023



DOCUMENT NOTICE: The information contained in this manual is the property of Hengyang Rich power Co., Ltd. ("RITAR") and is subject to change without notice. RITAR reserves the right to make changes in the design of its products or components as progress in engineering and manufacturing may warrant. It is the customer's responsibility to satisfy itself as to whether the information contained herein is adequate and sufficient for a user's particular use. It is the further responsibility of each user to ensure that all applications of RITAR's products are appropriate and safe based on conditions anticipated or encountered during use. This document does not create any additional obligation for RITAR and does not constitute additional warranties and representations.

New Generation 12.8V / 25.6V Li-ion Battery

Ritar new generation 12.8V/25.6V Li-ion battery is intended as a replacement for the common 12V lead acid battery and traditional case Li-ion battery. The new generation Li-ion battery adopt removable enclosure and modular design which support to assembly in local.

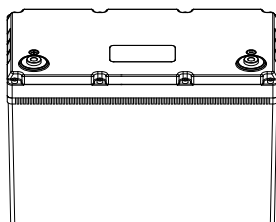
The new generation Li-ion battery adopt Iron Phosphate (LiFePO₄) cells and unique BMS to provide safety, high current and prominent long life performance, with 20 times longer cyclic life than SLA battery to save cost and energy, up to 70% lighter than SLA battery to save logistic cost. Diverse accessories which include Bluetooth modules, heater components, LED display units and communication ports.

This document is intended for use by anyone required to install and operate new generation Li-ion batteries. Be sure to review this manual carefully to identify any potential safety risks before proceeding.

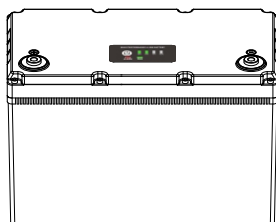
The owner must be familiar with all the features of this product before proceeding.

Failure to install or use this product as instructed can result in damage to the product that may not be covered under the limited warranty.

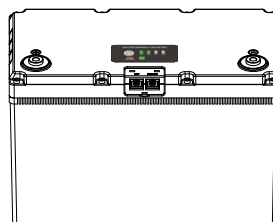
12.8V100Ah, 25.6V50Ah



G1

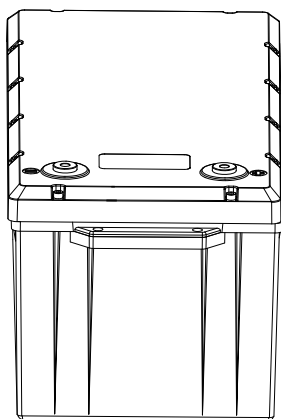


G2

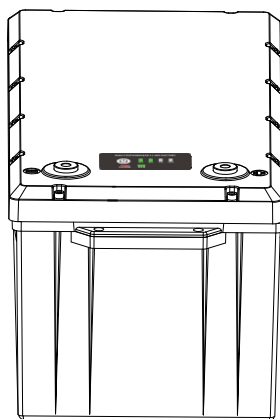


G3

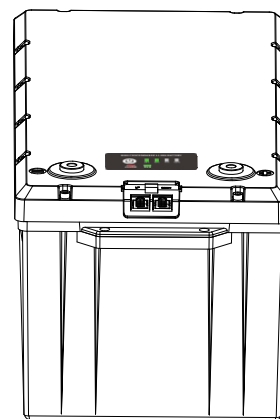
12.8V200Ah, 12.8V300Ah, 25.6V100Ah, 25.6V200Ah



G1



G2



G3



WARNING: Explosion, Electrocution, Or Fire Hazard

- A battery can present a risk of electric shock, burns from high short circuit current, fire, or explosion.
- Observe proper precautions.
- Ensure the cables are properly sized.
- Ensure clearance requirements are strictly enforced around the batteries.
- Ensure the area around the batteries is well ventilated and clean of debris.
- Always use insulated tools. Avoid dropping tools onto batteries or other electrical parts.
- Never charge a frozen battery unless optional heater parts inside.
- If a battery must be removed, always remove the grounded terminal from the battery first. Make sure all devices are disconnected.



IMPORTANT

- When installing batteries, leave adequate clearance between batteries.
- When replacing batteries, use the same number and type of batteries.
- Avoid any fall or collision during the installation process.
- Do not remove the battery components. The maintenance of the battery should be carried out by a professional engineer.
- Do not expose the Li-ion battery to heat in excess of 58°C during operation, 60°C in storage.
- Do not incinerate or expose to open flames.
- Do not connect over 4 sets 12.8V or 2 sets 25.6V Li-ion batteries in series. Wrong operation will damage the BMS.
- Before series connection, it's better to make sure fully charge or discharge single battery. The different SOC between batteries may cause the whole group to fail to charge and discharge normally (Reduce the usable capacity of the battery group).
- Before parallel connection, it's better to make sure the voltage difference less than 0.1V to avoid large current impact.
- Do not connect in series at the same time connect in parallel.

Storage

The 12.8V/25.6V Li-ion battery can be stored in an environment with temperatures between -20°C and +55°C and between 10% and 90% relative humidity, non-condensing.

For long storage periods at 25°C, charge the battery every half years.

For temperatures above 40°C, charge the battery quarterly.

Do not store the Li-ion battery at temperatures above 60°C.

Relationship Between Charge Limits and Temperature

Due to the chemistry of Lithium Ion cells, the cells cannot accept as much charge current at lower temperatures without risking permanent loss of capacity. As the cells' temperature rises during the charging process, they can gradually accept higher currents.

To maintain optimum performance and durability of Li-ion battery, the following charge limits based on ambient temperature is recommended.

| Temperature (°C) | Max. Charge Current |
|------------------|--------------------------------|
| -20 | Prohibit charging |
| -10 | Prohibit charging |
| 0 | 0.1C |
| 10 | Recommended charge current |
| 20 | Max. continuous charge current |
| 35 | Recommended charge current |
| 45 | 0.2C |
| >55 | Prohibit charging |

Table 3 Charge Rate by Temperature

Series Strings

The batteries can be combined together in series strings to achieve higher operating voltages by connecting the positive terminal of one battery to the negative terminal of the next battery.

The maximum number of 12.8V Li-ion battery that you can connect in a series is four.

The maximum number of 25.6V Li-ion battery that you can connect in a series is two.

Below figure 2 illustrates four 12.8V Li-ion batteries connected in series, for a 4S1P configuration.

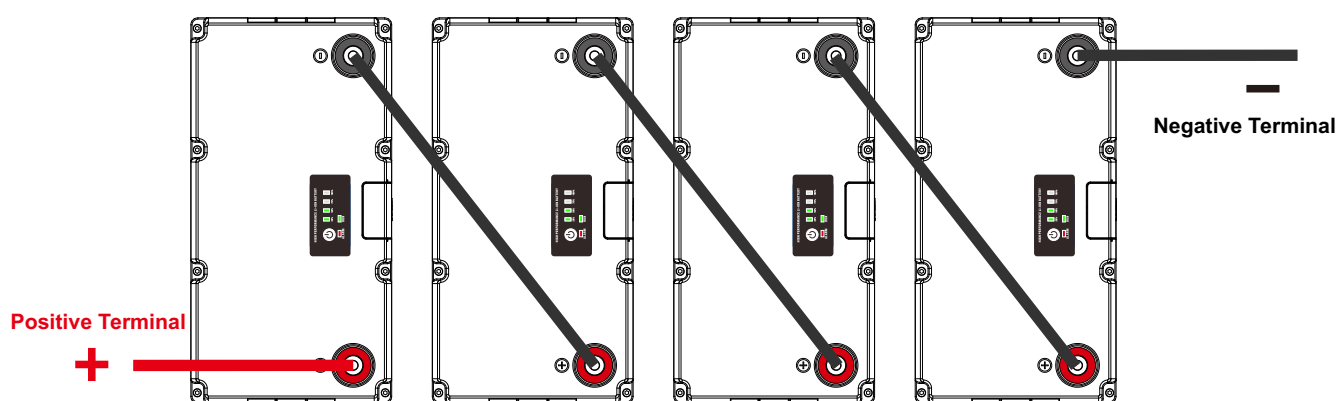


Figure 2. Connecting Batteries in Series (4S1P Configuration)

Two batteries in series: $2 \times 12.8V = 25.6V$ (nominal) for 24V applications

Three batteries in series: $3 \times 12.8V = 38.4V$ (nominal) for 36V applications

Four batteries in series: $4 \times 12.8V = 51.2V$ (nominal) for 48V applications



CAUTION

- Failure to follow the following safety instructions may result in personal injuries or damage to the equipment!
- Do not connect more than four batteries in series. Connecting more than four batteries in series exceeds the voltage limit of the BMS.
- Do not short circuit the Li-ion battery
- Do not connect different batches, different types, old and new batteries in series.
- Ensure the batteries consistency before connecting in series.
- For series connection, if one of batteries is charged fully (100% SOC), the other batteries will not be charged anymore, this may cause some batteries SOC won't show 100%, it don't effect the performance of battery.

Parallel Strings

You can combine batteries together in parallel strings to achieve higher operating energy by connecting like-polarity terminals of adjacent batteries. To combine batteries in parallel strings, connect all like-polarity wires on adjacent batteries to an appropriately sized terminal block for your application.

Refer to Figure 3 for an example of four 12.8V Li-ion batteries connected in parallel.

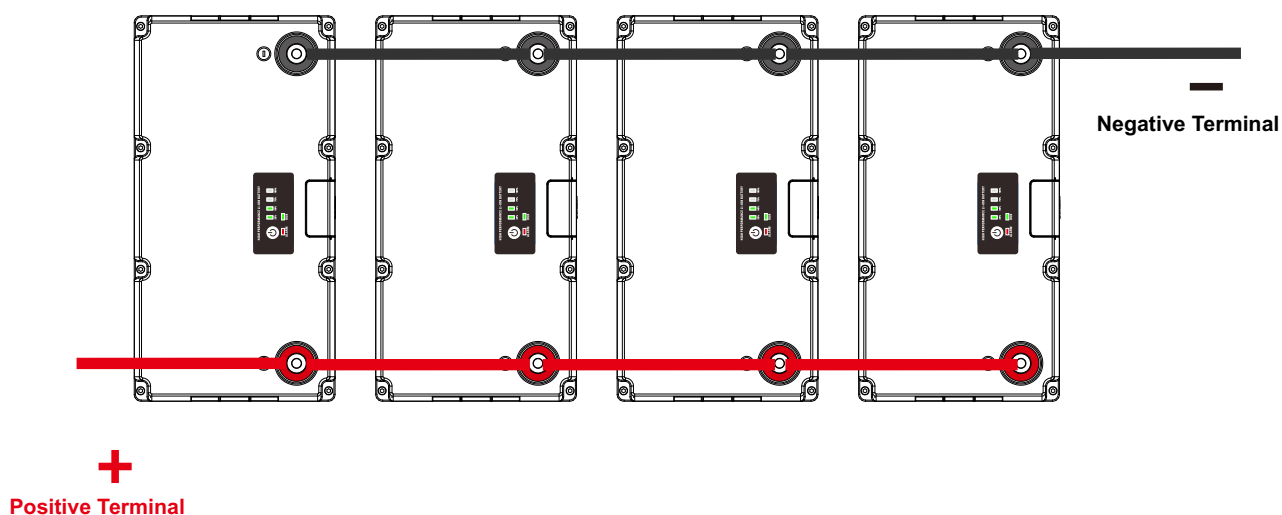


Figure 3 Example of a 4P1S Configuration



CAUTION

- Do not connect different batches, different types, old and new batteries in parallel.
- Ensure the battery voltage difference is below 100mV before parallel connection to avoid high pulse current.
- Ensure every battery have 3A charge/discharge current.
- The parallel application can only extend the working time, and cannot increase the charging or discharging current.

Charging Batteries

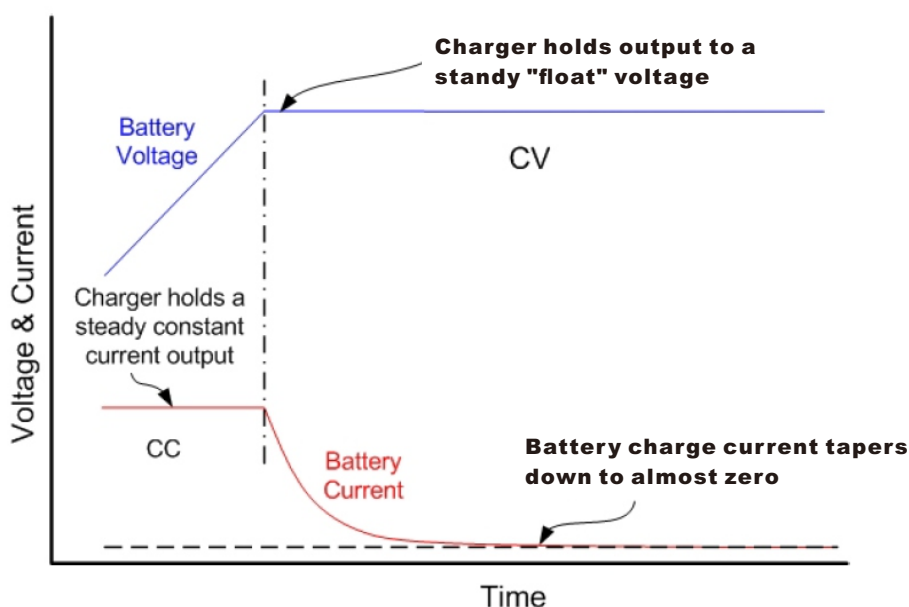
The 12.8V Li-ion is compatible with common 12V Lead-acid battery chargers.

Chargers that require the detection of voltage at the battery terminals to charge may fail to wake the Li-ion battery from a state of under-voltage protection. Constant Voltage (CV) chargers may result in an inrush of current due to the low impedance of the cells, interrupting the charge. Reset the charger and continue charging normally if the charger trips.

The constant current (CC) chargers is recommended strongly.

To charge a single 12.8V battery, the maximum charge voltage is 14.6V and the maximum charge current is refer to Table 1. Any inrush current may cause over current or short circuit protection.

Once you reach end-of-charge voltage, apply a constant voltage hold at this voltage until the current decays to almost zero. This charges the cells to 100% state of charge (SOC). Refer to below figure for an illustration.



Battery Voltage and Current During Charge

Note:

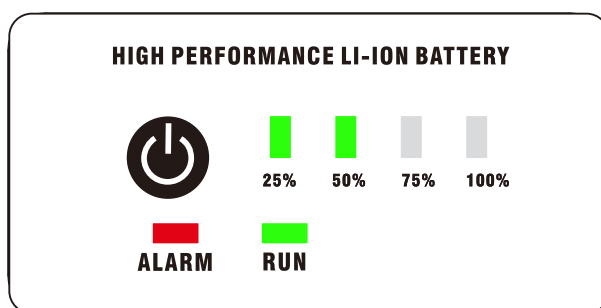
For 12.8V Li-ion battery, the minimum charging voltage is 13.7V, otherwise the battery will not be fully charged.

ON/OFF Button and LED Indicators for G2, G3

For new generation Li-ion battery, if there are no charge or discharge for 24 hours, the battery will enter into sleep mode to save energy and it can still be measured a OCV (>10V), any charge or discharge operation will active the battery.

If the battery was over-dicharged protection, the BMS will enter into sleep mode after 5 min. there are no OCV at this status. only charge operation can active the battery.

For G2 and G3 series. it can also support to press ON/OFF button 6 seconds to active or switch off a battery.



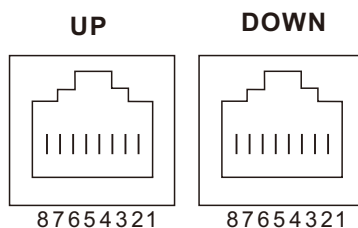
ON/OFF button and LED indicators for G2 and G3

| Status | Nominal Warning Protection | RUN | | ALM | | SOC | | | | Description |
|-----------|--|---------|---------|------------------------|-----|-----|-----|--|-----|-------------|
| | | ● | ● | ● | ● | ● | ● | ● | ● | |
| Shut down | Dormancy | OFF | OFF | OFF | OFF | OFF | OFF | OFF | OFF | |
| Standby | Nominal | Flash 1 | OFF | Follow module capacity | | | | Standby | | |
| | Warning | Flash 1 | Flash 3 | Follow module capacity | | | | Module at low voltage | | |
| Charge | Nominal | ON | OFF | Follow module capacity | | | | | | |
| | Warning | ON | Flash 3 | Follow module capacity | | | | | | |
| | Over-charge Protection | ON | OFF | ON | ON | ON | ON | LED turn to standby if no power supply | | |
| | Temperature, over-current, Failure protection | OFF | OFF | OFF | OFF | OFF | OFF | Stop charging | | |
| Discharge | Nominal | ON | OFF | Follow module capacity | | | | | | |
| | Warning | ON | Flash 3 | Follow module capacity | | | | | | |
| | Under voltage Protection | OFF | OFF | OFF | OFF | OFF | OFF | Stop discharging | | |
| | Temperature, over-current, short circuit, failure protection | OFF | ON | OFF | OFF | OFF | OFF | Stop discharging | | |
| Failure | | OFF | ON | OFF | OFF | OFF | OFF | Stop charging and discharging | | |

Note:

Flash 1: light 0.25s/off 3.75s; Flash 2: light 0.5s/ off 0.5s; Flash 3: light 0.5s / off 1.5s

Communication Port for G3



| UP | |
|-----|-------------|
| PIN | Description |
| 1 | LED - |
| 2 | O/F/LED+ |
| 3 | O/F |
| 4 | CAN H |
| 5 | CAN L |
| 6 | COMG |
| 7 | RS485-A |
| 8 | RS485-B |

| DOWN | |
|------|-------------|
| PIN | Description |
| 1 | / |
| 2 | SWB |
| 3 | SWA |
| 4 | CAN H |
| 5 | CAN L |
| 6 | COMG |
| 7 | RS485-A |
| 8 | RS485-B |

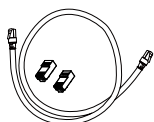
Note :

1. For parallel connection, it supports to do communication between batteries.

Communication connection

the battery BMS default ADD is 0, if the battery needs to do communication with inverter or there are 2 or more batteries connect in parallel. it needs set ADD.

The below accessories is necessary for communication setting and connection.



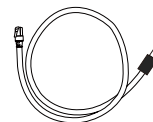
Communication cable-
586B,CAT5e, 1m



CAN terminal resistor for parallel
communication
(Blue color, PIN4-PIN5 120 Ohm
resistor)



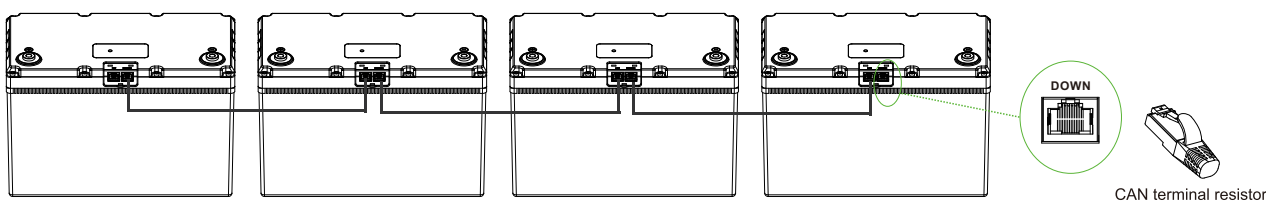
Automatic coding parts for parallel
batteries ADD automatic coding
(Gray color, PIN2-PIN3 short together)



Optional Part
RS485-USB device
Only for install engineer and after-sale engineer.

Step 1. Connect the power cable between batteries. Make sure the screws are tight.

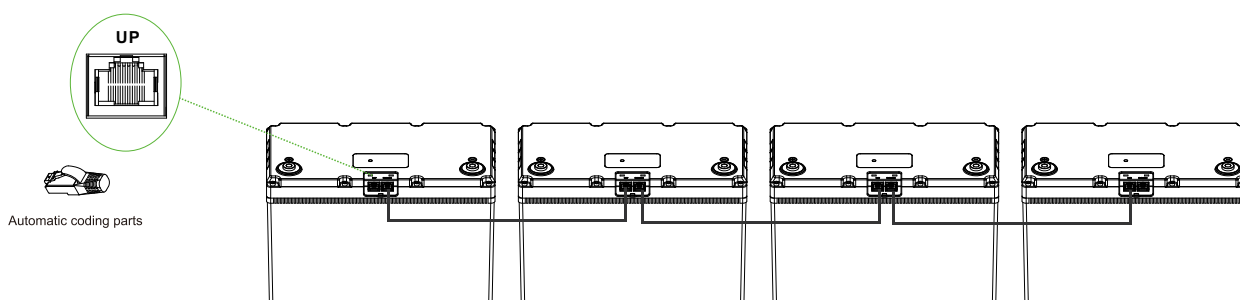
Step 2. Connect communication cable batteries and CAN terminal resistor.



Step 3. Press ON/OFF button 6s to active all batteries. the battery SOC indicator will on.

Step 4. Insert automatic coding parts to BAT-1 UP port. the BAT-1 RUN & ALARM LED will start to flash at the same time which means the BMS start setting ADD automatically. Finally, all LED indicators will become normal which means the BMS ADD coding process is complete.

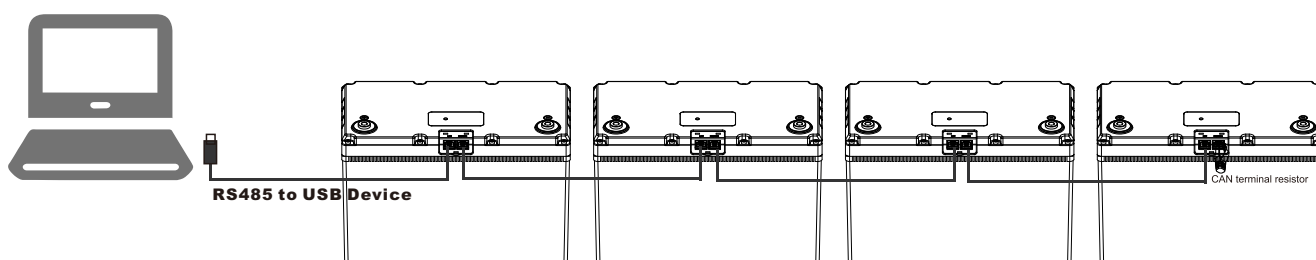
Setp 5: Remove automatic coding parts and connect RS485-USB cable to PC, it can monitor every battery information by BMS PC software. or connect BAT-1 UP port to inverter.



BMS PC software operation

This chapter mainly introduce the BMS PC software operation for G3 series.

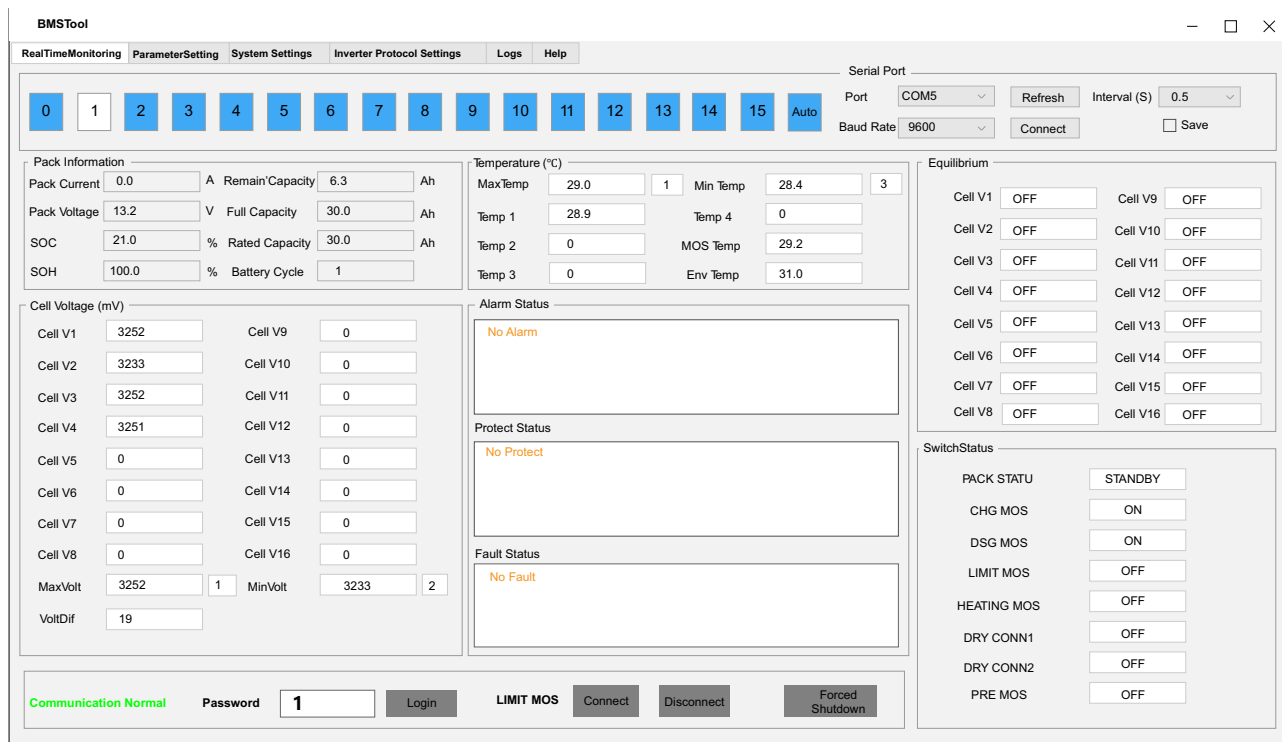
BMS PC software download: http://120.27.63.138:8181/attach_files/vrla_case_12/112



Double click BMSTools.exe to open the software.

Check the battery ADD, USB series Port and band rate-9600, click "connect".

If the communication is normal, the battery realtime information will be listed.



The screenshot shows the BMSTool software interface. The top menu includes RealTimeMonitoring, ParameterSetting, System Settings, Inverter Protocol Settings, Logs, and Help. The Serial Port section shows Port COM5, Baud Rate 9600, and Interval (S) 0.5. The main display area is divided into several sections:

- Pack Information:** Pack Current 0.0 A, Remain Capacity 6.3 Ah, Pack Voltage 13.2 V, Full Capacity 30.0 Ah, SOC 21.0%, Rated Capacity 30.0 Ah, SOH 100.0%, Battery Cycle 1.
- Temperature (°C):** MaxTemp 29.0, Min Temp 28.4, Temp 1 28.9, Temp 2 0, Temp 3 0, Temp 4 0, MOS Temp 29.2, Env Temp 31.0.
- Cell Voltage (mV):** Cell V1 3252, Cell V2 3233, Cell V3 3252, Cell V4 3251, Cell V5 0, Cell V6 0, Cell V7 0, Cell V8 0, Cell V9 0, Cell V10 0, Cell V11 0, Cell V12 0, Cell V13 0, Cell V14 0, Cell V15 0, Cell V16 0. MaxVolt 3252, MinVolt 3233, VoltDif 19.
- Alarm Status:** No Alarm.
- Protect Status:** No Protect.
- Fault Status:** No Fault.
- Equilibrium:** Cell V1 OFF, Cell V2 OFF, Cell V3 OFF, Cell V4 OFF, Cell V5 OFF, Cell V6 OFF, Cell V7 OFF, Cell V8 OFF, Cell V9 OFF, Cell V10 OFF, Cell V11 OFF, Cell V12 OFF, Cell V13 OFF, Cell V14 OFF, Cell V15 OFF, Cell V16 OFF.
- SwitchStatus:** PACK STATU STANDBY, CHG MOS ON, DSG MOS ON, LIMIT MOS OFF, HEATING MOS OFF, DRY CONN1 OFF, DRY CONN2 OFF, PRE MOS OFF.

The bottom status bar shows "Communication Normal", a Password field with "1", and buttons for Login, LIMIT MOS, Connect, Disconnect, and Forced Shutdown.

Click " Read", the BMS default parameter will be list. any modify about BMS parameters should be carried out by a professional engineer.

Wrong parameters setting will cause the damage about BMS or battery.

BMSTool [-] [□] [×]

RealTimeMonitoring | **ParameterSetting** | System Settings | Inverter Protocol Settings | Logs | Help

Clear | DeselectAll | Write | Stop | Read | Clear | Restore

| | | | |
|--|--|--|---|
| Pack OV Alarm Protect <input type="checkbox"/> Pack OV Alarm (V) [] [] <input type="checkbox"/> Pack OV Protect (V) [] [] <input type="checkbox"/> Pack OVP Release (V) [] [] <input type="checkbox"/> Pack OVP Delay Time (mS) [] [] | Cell OV Alarm Protect <input type="checkbox"/> Cell OV Alarm (V) [] [] <input type="checkbox"/> Cell OV Protect (V) [] [] <input type="checkbox"/> Cell OVP Release (V) [] [] <input type="checkbox"/> Cell OVP Delay Time (mS) [] [] | Pack UV Alarm Protect <input type="checkbox"/> Pack UV Alarm (V) [] [] <input type="checkbox"/> Pack UV Protect (V) [] [] <input type="checkbox"/> Pack UVP Release (V) [] [] <input type="checkbox"/> Pack UVP Delay Time (mS) [] [] | Cell UV Alarm Protect <input type="checkbox"/> Cell UV Alarm (V) [] [] <input type="checkbox"/> Cell UV Protect (V) [] [] <input type="checkbox"/> Cell UVP Release (V) [] [] <input type="checkbox"/> Cell UP Delay Time (mS) [] [] |
| CHG OC Alarm Protect <input type="checkbox"/> CHG OC Alarm (A) [] [] <input type="checkbox"/> CHG OC Protect (A) [] [] <input type="checkbox"/> CHG OC Delay Time (mS) [] [] | CHG OT Alarm Protect <input type="checkbox"/> CHG OT Alarm (°C) [] [] <input type="checkbox"/> CHG OT Protect (°C) [] [] <input type="checkbox"/> CHG OTP Release (°C) [] [] | DSG OT Alarm Protect <input type="checkbox"/> DSG OT Alarm (°C) [] [] <input type="checkbox"/> DSG OT Protect (°C) [] [] <input type="checkbox"/> DSG OTP Release (°C) [] [] | CHG UT Alarm Protect <input type="checkbox"/> CHG UT Alarm (°C) [] [] <input type="checkbox"/> CHG UT Protect (°C) [] [] <input type="checkbox"/> CHG UTP Release (°C) [] [] |
| DSG OC Alarm Protect <input type="checkbox"/> DSG OC Alarm (A) [] [] <input type="checkbox"/> DSG OC 1 Protect (A) [] [] <input type="checkbox"/> DSG OC 1 Delay Time (mS) [] [] <input type="checkbox"/> DSG OC 2 Protect (A) [] [] <input type="checkbox"/> DSG OC 2 Delay Time (mS) [] [] | DHG UT Alarm Protect <input type="checkbox"/> DHG UT Alarm (°C) [] [] <input type="checkbox"/> DHG UT Protect (°C) [] [] <input type="checkbox"/> DHG UTP Release (°C) [] [] | MOS OT Alarm Protect <input type="checkbox"/> MOS OT Alarm (°C) [] [] <input type="checkbox"/> MOS OT Protect (°C) [] [] <input type="checkbox"/> MOS OTP Release (°C) [] [] | ENV OT Alarm Protect <input type="checkbox"/> ENV OT Alarm (°C) [] [] <input type="checkbox"/> ENV OT Protect (°C) [] [] <input type="checkbox"/> ENV OTP Release (°C) [] [] |
| <input type="checkbox"/> BMS Version [] [] [] [] <input type="checkbox"/> Model SN [] [] [] [] [] [] <input type="checkbox"/> PACK SN [] [] [] [] [] [] | ENV UT Alarm Protect <input type="checkbox"/> ENV UT Alarm (°C) [] [] <input type="checkbox"/> ENV UT Protect (°C) [] [] <input type="checkbox"/> ENV UTP Release (°C) [] [] | <input type="checkbox"/> Balance Threshold (mV) [] [] [] [] <input type="checkbox"/> Balance ΔVcell (mV) [] [] [] [] | <input type="checkbox"/> Sleep Vcell (V) [] [] [] [] <input type="checkbox"/> Delay Time (s) [] [] [] [] <input type="checkbox"/> SCP Delay Time (μS) [] [] [] [] <input type="checkbox"/> SOC Low Alarm (%) [] [] [] [] |

2021-12-22 09:09:10

Bluetooth battery APP introduction

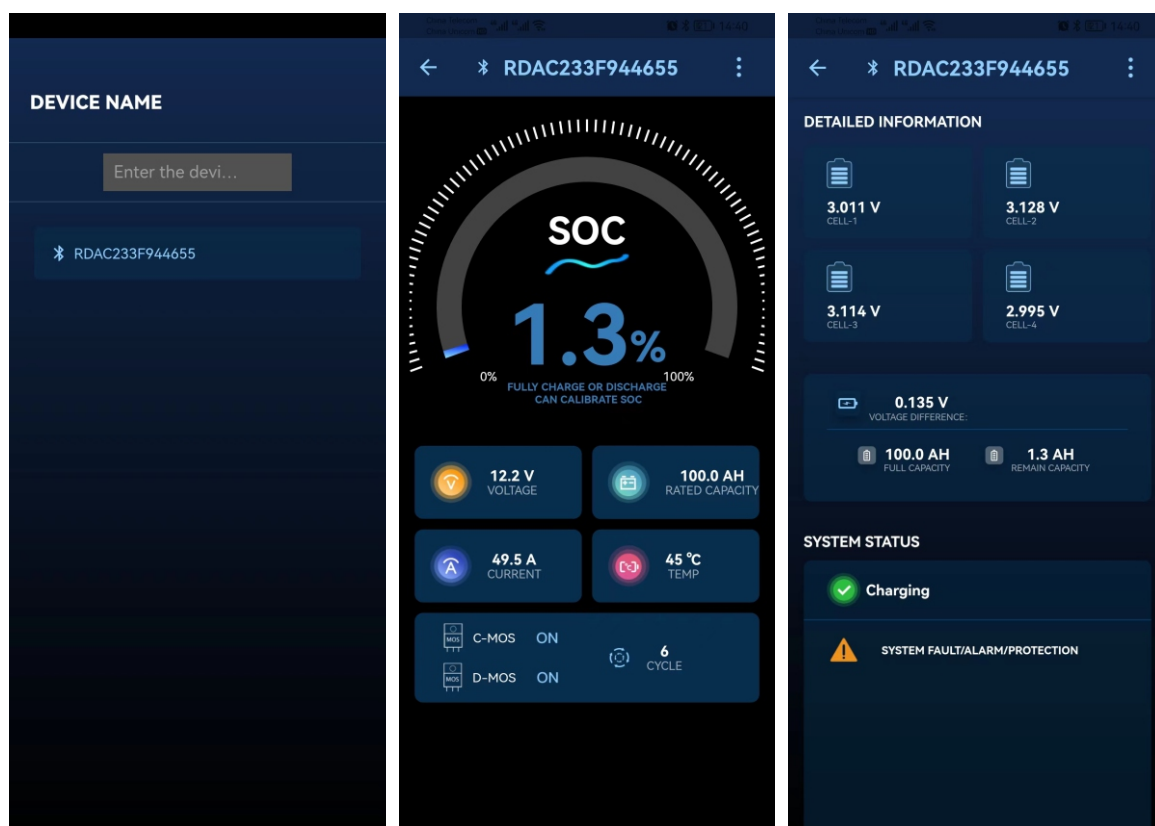
This chapter mainly introduces the Bluetooth battery APP

For IOS device, it can search Bluetooth Li at App Store.

For Android device, it can scan below QR code to download APP.



Android App



Note :

1. Bluetooth module is optional parts for new generation Li-ion battery.

Troubleshooting

The 12V / 24V Li-ion batteries are extremely reliable batteries that provide greater useful life than comparable 12V lead-acid batteries. Despite the high reliability of the 12V/24V Li-ion batteries, you may encounter situations where the battery does not operate as expected. These situations are typically the result of misuse, abuse or a non-optimal operating or storage environment. This part details potential issues you may encounter with the 12V / 24V Li-ion batteries and the appropriate troubleshooting procedures.

Charger Trips using Constant Voltage

Problem : CV charger trips when charging the batteries. This is due to the low impedance of the battery creating a current inrush.

Solution: Reset the charger and try again.

Terminal Voltage Absent or Low

Problem :

Using a multimeter to check terminal voltage shows the terminal voltage is low.

Possible causes for this problem are:

The voltage of a cell within the battery dropped below 2 V, causing the microprocessor to enable under-voltage protection.

The battery's SOC dropped below 5% from either an extended idle period or heavy use, enabling under-voltage protection.

The battery overheated, causing the microprocessor to enable over-temperature protection.

Solution:

To resolve situations where terminal voltage is absent or low:

1. Allow the battery to cool and then recheck terminal voltage.
2. Connect the battery to a charger to wake the battery and recover terminal voltage. Depending on the battery's voltage and state of balance it may take up to 48 hours to completely charge and balance the battery.

Battery Current Disappears when Charging

Problem :

Battery current disappears when charging. Possible causes for this problem are:

The battery overheated, enabling over-temperature protection.

The battery pack is out-of-balance.

Charger voltage is too high.

Solution:

To resolve situations where current disappears when charging:

1.Allow the battery to cool.

2.Apply a 14.0 V charge voltage for 48 hours to balance the battery pack's cells.

3.Reduce charger voltage to 14.4 V or less.