

## DS-K3G411 Tripod Turnstile



The DS-K3G411 series tripod turnstile is designed to detect unauthorized entrance or exit. By adopting the turnstile integratedly with the access control system, person should authenticate to pass through the lane via presenting IC or ID card, scanning QR code, etc. It is widely used in attractions, stadiums, construction sites, residences, etc.

- TCP/IP network communication: The communication data is specially encrypted to relieve the concern of privacy leak
- Free accessing, forbidden mode are selectable
- Bidirectional (Entering/Exiting) lane
- Remote control and management
- LED indicates the entrance/exit and passing status.
- Fire alarm passing: When the fire alarm is triggered, the barrier will be dropped automatically for emergency evacuation.
- Valid passing duration settings: System will cancel the passing permission if a person does not pass through the lane within the valid passing duration



## ▪ Specification

System	
MCBF	> 3 million times
Interface	
RS-232	6 interfaces can be switched to RS-232 via DIP switch; 2 for fingerprint module or QR code scanner
RS-485	6 (The interfaces can be switched to RS-232 via DIP switch)
Lock output	2
IO input	2
IO output	2
Network interface	1
Capacity	
Card capacity	60,000
Event capacity	180,000
General	
Throughput	More than 35 persons per minute The actual throughput is affected by the person passing rate and passing method.
Power supply method	100 to 240 VAC; 50 to 60 Hz
Lane width	550mm
Working temperature	-10 °C to 50 °C (14 °F to 122 °F)
Working humidity	0% to 95% (No condensing)
Pedestal material	SUS304 stainless steel
Dimensions	Without package: 502 mm × 202 mm × 1010 mm (19.8" × 8.0" × 40.0") With package: 745 mm × 365 mm × 1120 mm (29.3" × 14.4" × 44.1")
Application environment	Indoor
Weight	Without package: 26 kg (57.3 lb) With package: 31 kg (68.41 lb)
Approval	CE/FCC/CB/RoHS/REACH/WEEE

## ▪ Maintenance

The main element of the turnstile is stainless steel, which is rustless (antioxidant) and corrosion resistant (The anti corrosion ability in the medium of acid, alkali, and salt). In order to keep the stainless steel from being oxidized or corroded, you should clean and care the turnstile surface periodically .

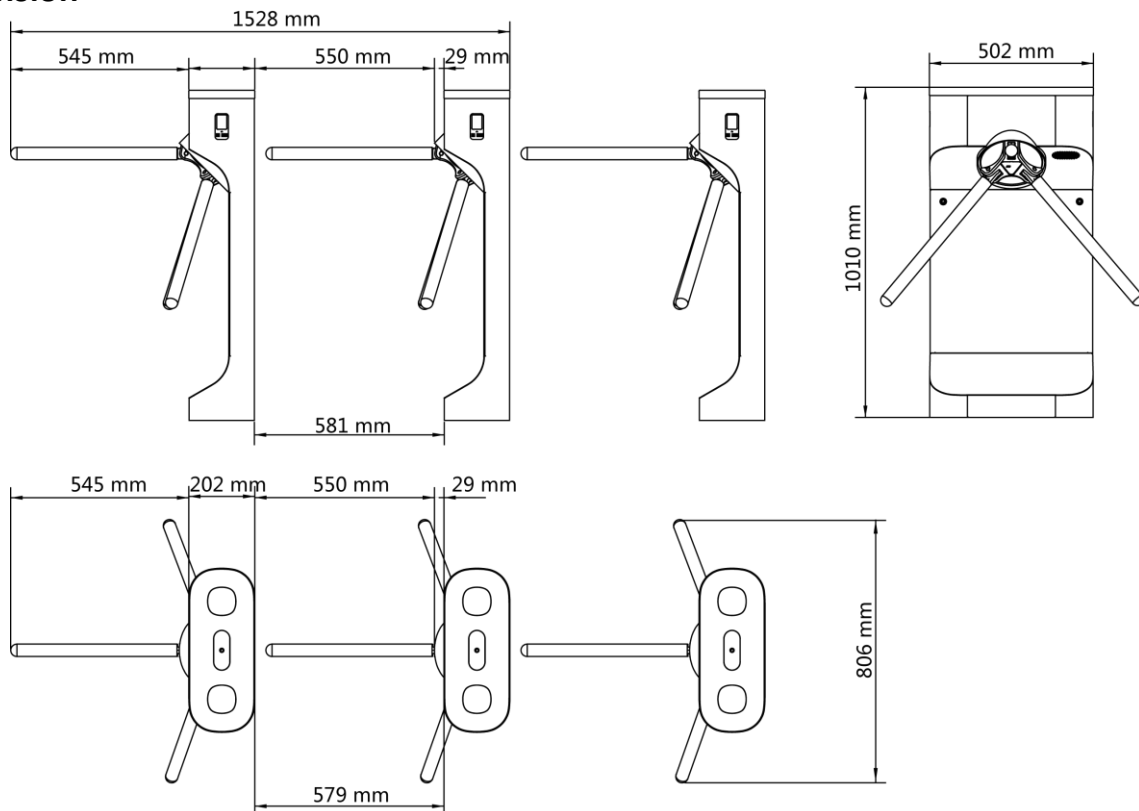
The instructions and tips for maintaining the turnstile are as follows:

- Select different stainless steel types according to the variety of the environments. You can select 304 stainless steel for common circumstances and 316 stainless steel for the scenarios of seashores and chemical plants.
- Keep the device surface clean and dry.
- Use non-woven cloth and ethyl alcohol to clean the dirt on the device surface.
- Use sourcing pad (do not use mesh cleaning ball) to clean the rust on the device surface by following the wire drawing on the stainless steel. And then use non-woven cloth and stainless steel cleaner to wipe the device surface.
- Clean and maintain the device by using non-woven cloth and stainless steel cleaner periodically. It is suggest to clean the device every month in common circumstances and every week for severe environments (seaside and chemical plants for instance).

▪ Available Model

DS-K3G411-R

▪ Dimension



Distributed by

**HIKVISION®****Headquarters**

No.555 Qianmo Road, Binjiang District,  
Hangzhou 310051, China  
T +86-571-8807-5998  
overseasbusiness@hikvision.com

**Hikvision USA**  
T +1-909-895-0400  
sales.usa@hikvision.com

**Hikvision Australia**  
T +61-2-8599-4233  
salesau@hikvision.com

**Hikvision India**  
T +91-22-28469900  
sales@pramahikvision.com

**Hikvision Canada**  
T +1-866-200-6690  
sales.canada@hikvision.com

**Hikvision Thailand**  
T +662-275-9949  
sales.thailand@hikvision.com

**Hikvision Europe**  
T +31-23-5542770  
sales.eu@hikvision.com

**Hikvision Italy**  
T +39-0438-6902  
info.it@hikvision.com

**Hikvision Brazil**  
T +55 11 3318-0050  
Latam.support@hikvision.com

**Hikvision Turkey**  
T +90 (216)521 7070- 7074  
sales.tr@hikvision.com

**Hikvision Malaysia**  
T +601-7652-2413  
sales.my@hikvision.com

**Hikvision UK & Ireland**  
T +01628-902140  
sales.uk@hikvision.com

**Hikvision South Africa**  
Tel: +27 (10) 0351172  
sale.africa@hikvision.com

**Hikvision France**  
T +33(0)1-85-330-450  
info.fr@hikvision.com

**Hikvision Kazakhstan**  
T +7-727-9730667  
nikia.panfilov@hikvision.ru

**Hikvision Vietnam**  
T +84-974270888  
sales.vt@hikvision.com

**Hikvision UAE**  
T +971-4-4432090  
salesme@hikvision.com

**Hikvision Singapore**  
T +65-6684-4718  
sg@hikvision.com

**Hikvision Spain**  
T +34-91-737-16-55  
info.es@hikvision.com

**Hikvision Tashkent**  
T +99-87-1238-9438  
uzb@hikvision.ru

**Hikvision Hong Kong**  
T +852-2151-1761  
info.hk@hikvision.com

**Hikvision Russia**  
T +7-495-669-67-99  
saleru@hikvision.com

**Hikvision Korea**  
T +82-(0)31-731-8817  
sales.korea@hikvision.com

**Hikvision Poland**  
T +48-22-460-01-50  
info.pl@hikvision.com

**Hikvision Indonesia**  
T +62-21-2933759  
Sales.Indonesia@hikvision.com

**Hikvision Colombia**  
sales.colombia@hikvision.com