

# DH-PFA200G

Gang Box Adapter



## Features

- Aesthetic design, indoor in-ceiling install
- Material: aluminum alloy +ABS
- Suitable for a 4" square, 4" octagon, single or double-gang junction box

## Technical Specification

**Model** DH-PFA200G

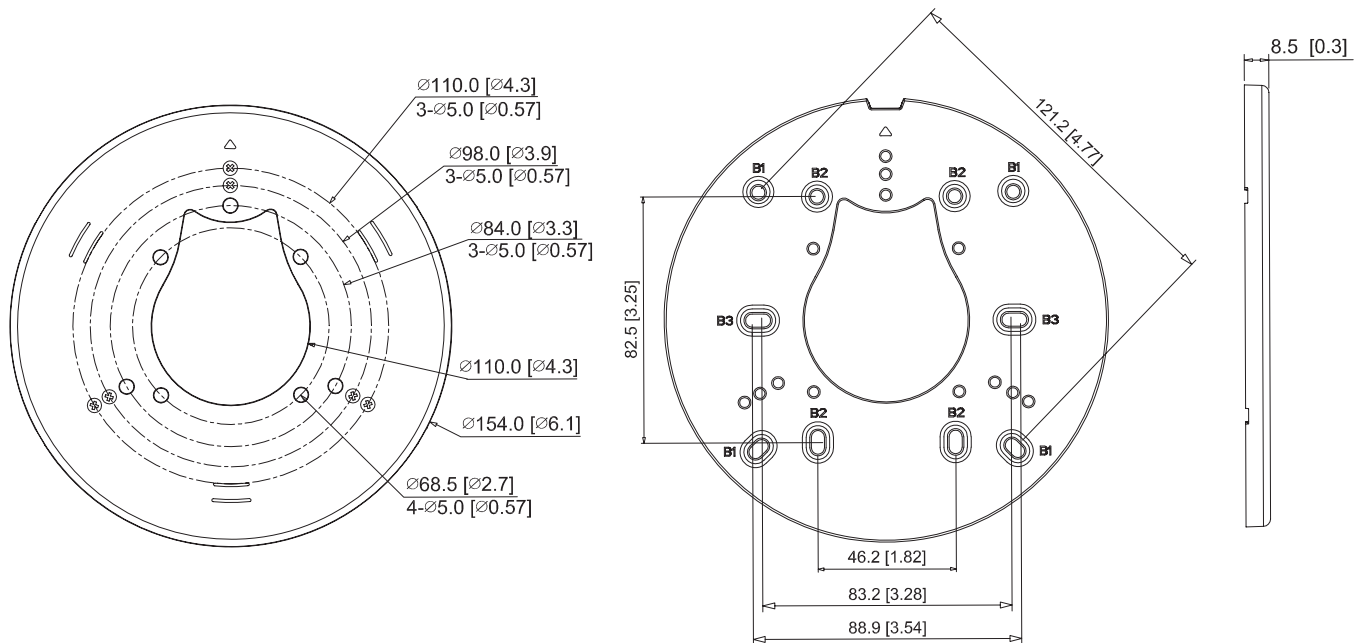
### General

Material	Aluminum alloy + ABS
Dimension (WxHxD)	Φ154mmx8.5mm (φ6.06"x0.33")
Weight	0.16kg (0.35lb)
Load Bearing (front)	1kg (2.2lb)
Color	White
Operating Temperature	-40 °C ~+60 °C (-40 °F ~+140 °F)
Humidity	0~90% RH
Applicable Model	Please see "Accessory Selector" on <a href="http://www.dahuasecurity.com">www.dahuasecurity.com</a>

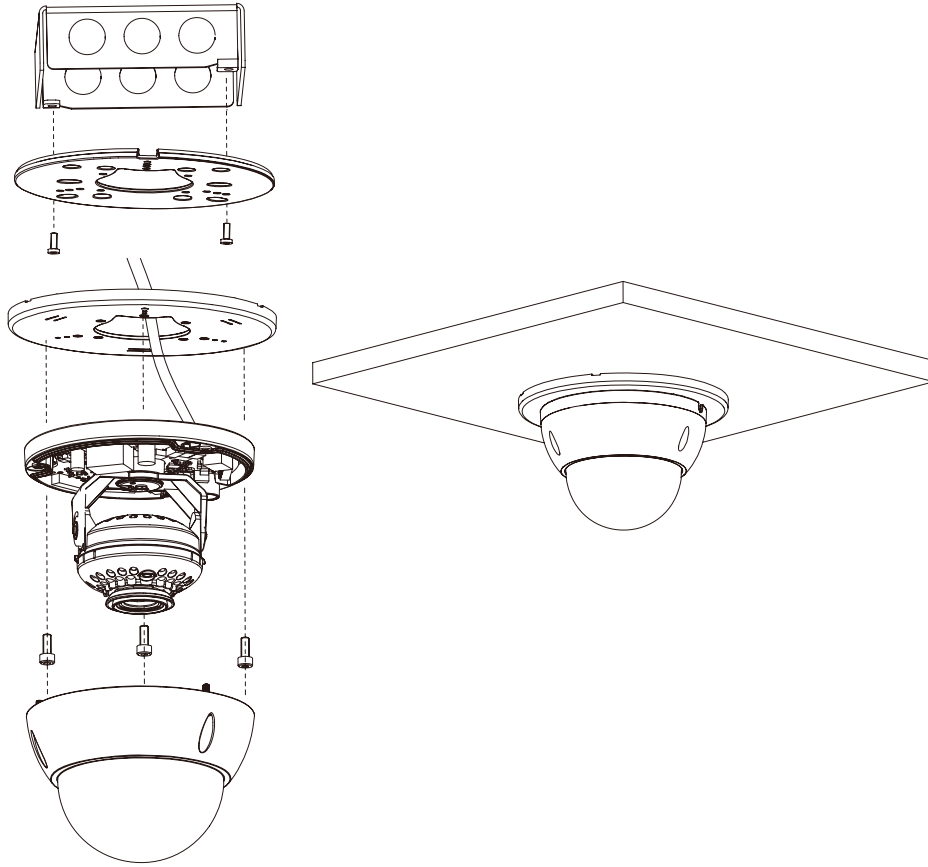
## Ordering Information

Type	Part Number	Description
Camera Mount Series	DH-PFA200G	Gang box adapter
	PFA200G	Gang box adapter

## Dimension(mm/inch)



## Application



## Package Information

- Gang box adapter \*1
- Cover \*1
- M4 screw \*3
- S3.0 wrench \*1
- User manual \*1