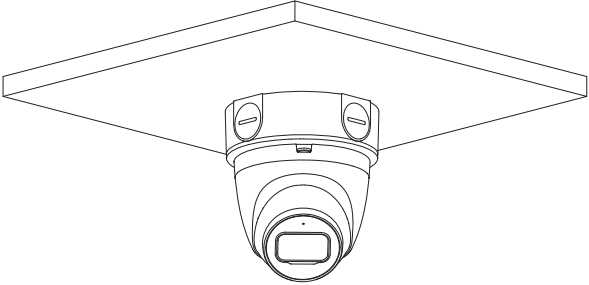
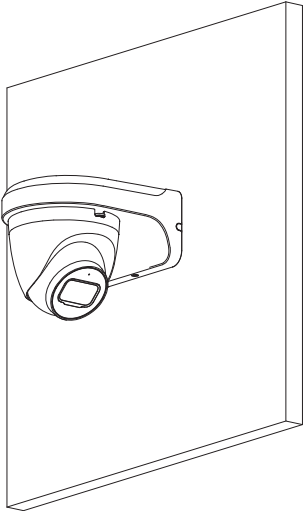
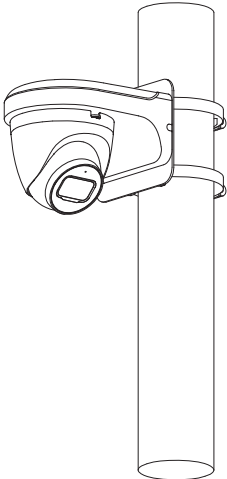


Junction Mount	Wall Mount	Pole Mount
PFA130-E	PFB203W	PFA152-E+PFB203W
 A line drawing showing a camera mounted at the junction of two ceiling beams. The camera is oriented downwards, with its lens and sensor array visible. The mounting bracket is integrated into the corner of the beams.	 A line drawing showing a camera mounted on a vertical wall. The camera is angled downwards and to the right. The mounting bracket is attached to the wall with screws.	 A line drawing showing a camera mounted on a vertical pole. The camera is angled downwards and to the left. The mounting bracket is wrapped around the pole with two straps.