

iDS-9600NXI-I8/X DeepinMind Series NVR

Key Feature

- H.265+/H.265/H.264+/H.264 video formats
- Intelligent analytics based on deep learning algorithm
- Up to 16-ch perimeter protection
- Up to 8-ch facial recognition for video stream, or up to 16-ch facial recognition for face picture
- Up to 8-ch video structuralization
- Up to 16/32/64-ch IP cameras can be connected
- Up to 16-ch 1080p decoding capability



Professional and Reliability

- H.265+ compression effectively reduces the storage space by up to 75%
- Dual-stream recording saves bandwidth
- Adopt stream over TLS encryption technology which provides more secure stream transmission service
- Support double verification for playback and downloading

HD Video Output

- Provide independent HDMI and VGA outputs
- HDMI video output at up to 4K resolution

Storage and Playback

- Up to 8 SATA interfaces for HDD connection
- Up to 16-ch synchronous playback

Smart & POS Function

- Support multiple VCA (Video Content Analytics) events
- Configurable special camera smart functions, such as VCA detection (motion, line crossing, intrusion, etc.), heat map, ANPR (Automatic Number-Plate Recognition), and people counting
- POS information overlay on live view and playback, and POS triggered recording and alarm



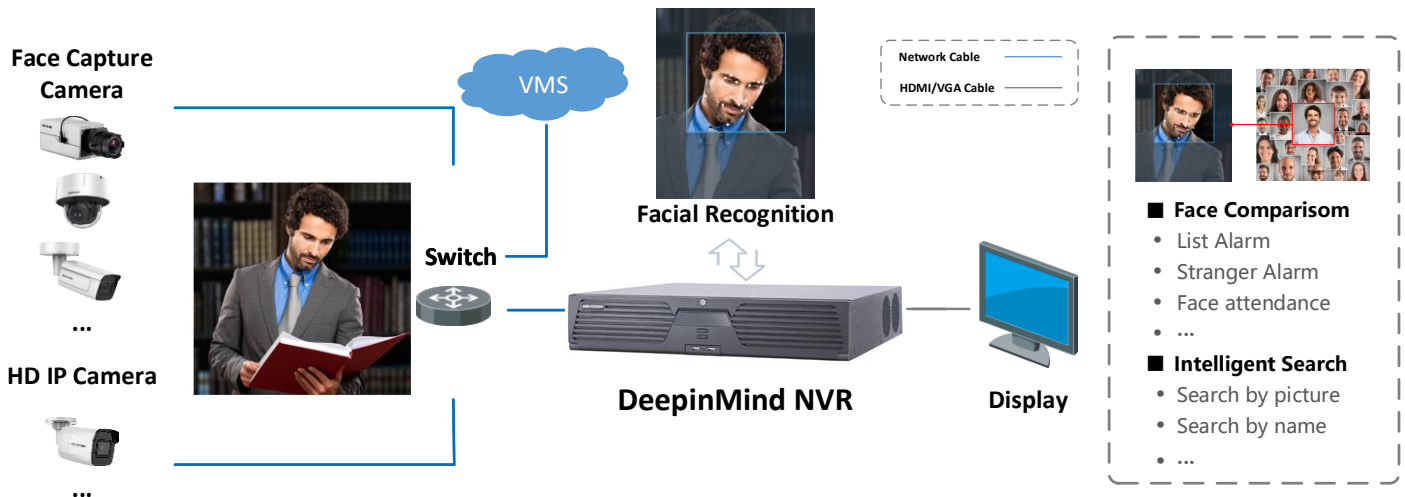
Network & Ethernet Access

- 2 self-adaptive 10/100/1000 Mbps Ethernet interfaces
- Hik-Connect & DDNS (Dynamic Domain Name System) for easy network management
- Smooth streaming technology
- Support web access without plug-in

Typical Application

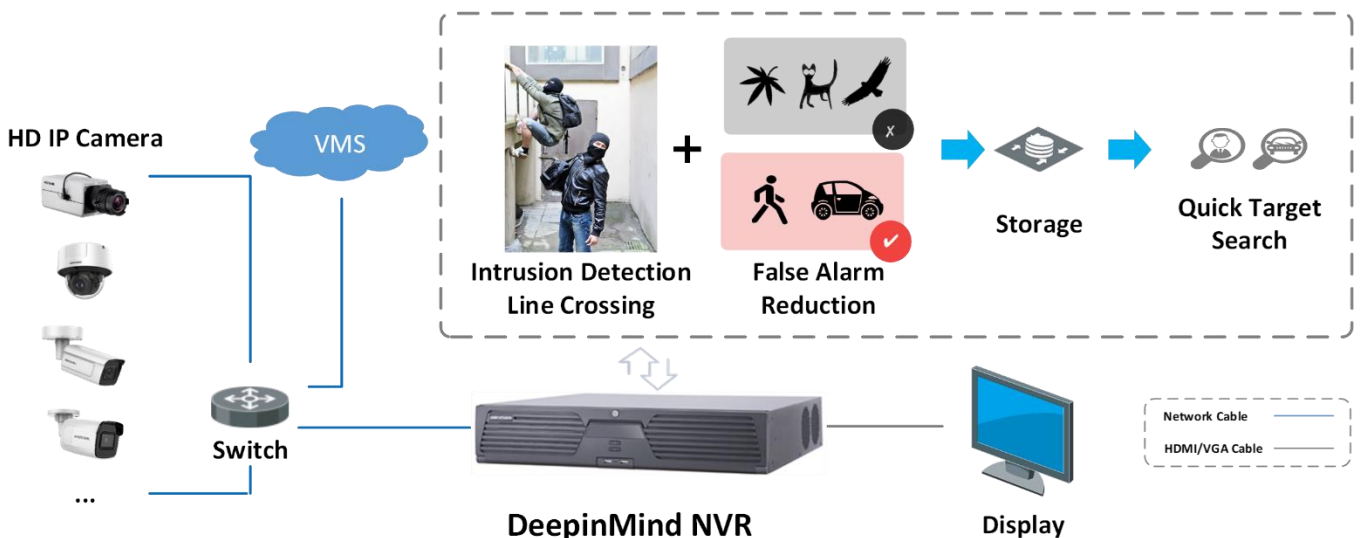
Facial Recognition and Face Picture Comparison

Modeling and analyzing face pictures captured by cameras. Realize list alarm and stranger alarm via face picture library. Search target people by picture and name features.



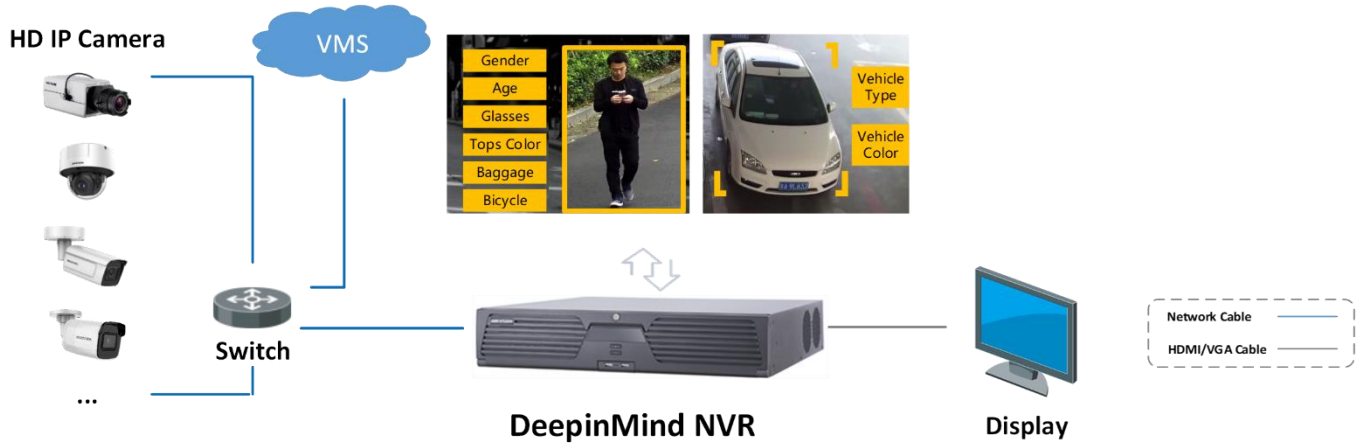
Perimeter Protection

Adopt deep learning algorithm to reduce false alarm, effectively reduces the false alarm caused by tree branches, leaves, shadow, light, vehicles, small animals, etc.



Video Structuralization

Extracting the face picture, human body and vehicle features from live videos, which is used for the tracking and retrieval of human and vehicles.



Specification

| Model | iDS-9616NXI-I8/X | iDS-9632NXI-I8/X | iDS-9664NXI-I8/X |
|--|--|-------------------|------------------|
| Facial Recognition¹ | | | |
| Facial detection and analytics | Face picture comparison, human face capture, face picture search | | |
| Face picture library | Up to 32 face picture libraries, with up to 100,000 face pictures in total (each picture ≤ 4 MB, total capacity ≤ 20 GB) | | |
| Face picture comparison | 16-ch face picture comparison alarm | | |
| Performance of facial detection and analytics | 8-ch 8 MP human face capture (HD network camera, H.264/H.265) | | |
| Perimeter Protection¹ | | | |
| False alarm reduction | Up to 16-ch 4 MP (HD network camera, up to 8 MP, H.264/H.265) video analysis for human and vehicle recognition to reduce false alarm | | |
| Video Structuralization¹ | | | |
| Structured analysis | Up to 8-ch 2 MP (HD network camera, up to 8 MP, H.264/H.265) live video structuralization analysis | | |
| Face picture library | Up to 32 face picture libraries, with up to 100,000 face pictures in total | | |
| Face picture comparison | 8-ch face picture comparison alarm | | |
| Video and Audio | | | |
| IP video input | 16-ch | 32-ch | 64-ch |
| | Up to 12 MP resolution *: 32 MP and 24 MP is only available for channel 1 when ultra HD resolution mode is enabled. | | |
| Incoming/outgoing bandwidth | 256 Mbps/256 Mbps | 320 Mbps/256 Mbps | |
| Incoming/outgoing bandwidth (RAID mode) | 200 Mbps/200 Mbps | | |
| HDMI1 output | 1-ch, 4K (3840 × 2160)/60Hz, 4K (3840 × 2160)/30Hz, 2K (2560 × 1440)/60Hz, 1920 × 1080/60Hz, 1600 × 1200/60Hz, 1280 × 1024/60Hz, 1280 × 720/60Hz, 1024 × 768/60Hz | | |
| HDMI2 output | 1-ch, 1920 × 1080/60Hz, 1280 × 1024/60Hz, 1280 × 720/60Hz, 1024 × 768/60Hz | | |
| VGA1 output | 1-ch, 1920 × 1080/60Hz, 1280 × 1024/60Hz, 1280 × 720/60Hz, 1024 × 768/60Hz | | |
| VGA2 output | 1-ch, 1920 × 1080/60Hz, 1280 × 1024/60Hz, 1280 × 720/60Hz, 1024 × 768/60Hz | | |
| Video output mode | HDMI1/VGA1 simultaneous output, HDMI2/VGA2 simultaneous output | | |
| CVBS output | N/A | | |
| Audio output | 2-ch, RCA (Linear, 1 KΩ) | | |
| Two-way audio input | 1-ch, RCA (2.0 Vp-p, 1 KΩ) | | |
| Decoding | | | |
| Decoding format | H.265/H.265+/H.264/H.264+/MPEG4 | | |
| Recording resolution | 32 MP/24 MP/12 MP/8 MP/6 MP/5 MP/4 MP/3 MP/1080p/UXGA/720p/VGA/4CIF/DCIF/2CIF/CIF/QCIF *: 32 MP and 24 MP is only available for channel 1 when ultra HD resolution mode is enabled. | | |
| Synchronous playback | 16-ch | | |

| | |
|----------------------------------|--|
| Capability | 1-ch@32 MP (30 fps)/16-ch@1080p (30 fps) |
| Dual stream recording | Support |
| Stream type | Video, Video & Audio |
| Audio compression | G.711ulaw/G.711alaw/G.722/G.726/MP2L2 |
| Network | |
| Remote connections | 128 |
| Network protocol | TCP/IP, DHCP, IPv4, IPv6, DNS, DDNS, NTP, RTSP, SADP, SMTP, SNMP, NFS, iSCSI, ISUP, UPnP™, HTTP, HTTPS |
| Network interface | 2, RJ-45 10/100/1000 Mbps self-adaptive Ethernet interface |
| RAID | |
| RAID Type | RAID0, RAID1, RAID5, RAID6, RAID10 |
| Auxiliary interface | |
| Serial port | RS-232; RS-485; Keyboard |
| SATA | 8 SATA interfaces |
| Capacity | Up to 10 TB capacity for each disk |
| eSATA | 1 eSATA interface |
| Alarm in/out | 16/8 |
| USB interface | Front panel: 2 × USB 2.0; Rear panel: 1 × USB 3.0 |
| General | |
| Power supply | 100 to 240 VAC, 50 to 60 Hz |
| Consumption (without HDD) | ≤ 70 W |
| Working temperature | -10 to +55° C (+14 to +131° F) |
| Working humidity | 10% to 90% |
| Dimension (W × D × H) | 445 × 465 × 92 mm (17.5"× 18.3" × 3.6") |
| Weight (without HDD) | ≤ 10 kg (22 lb) |
| Certification | |
| Obtained Certification | FCC, CE, UL, CB, WEEE, BIS, IC, RCM, KC, LOA |
| CE | EN 55032:2015, EN 61000-3-2, EN 61000-3-3, EN 50130-4 |
| FCC | Part 15 Subpart B, ANSI C63.4-2014 |

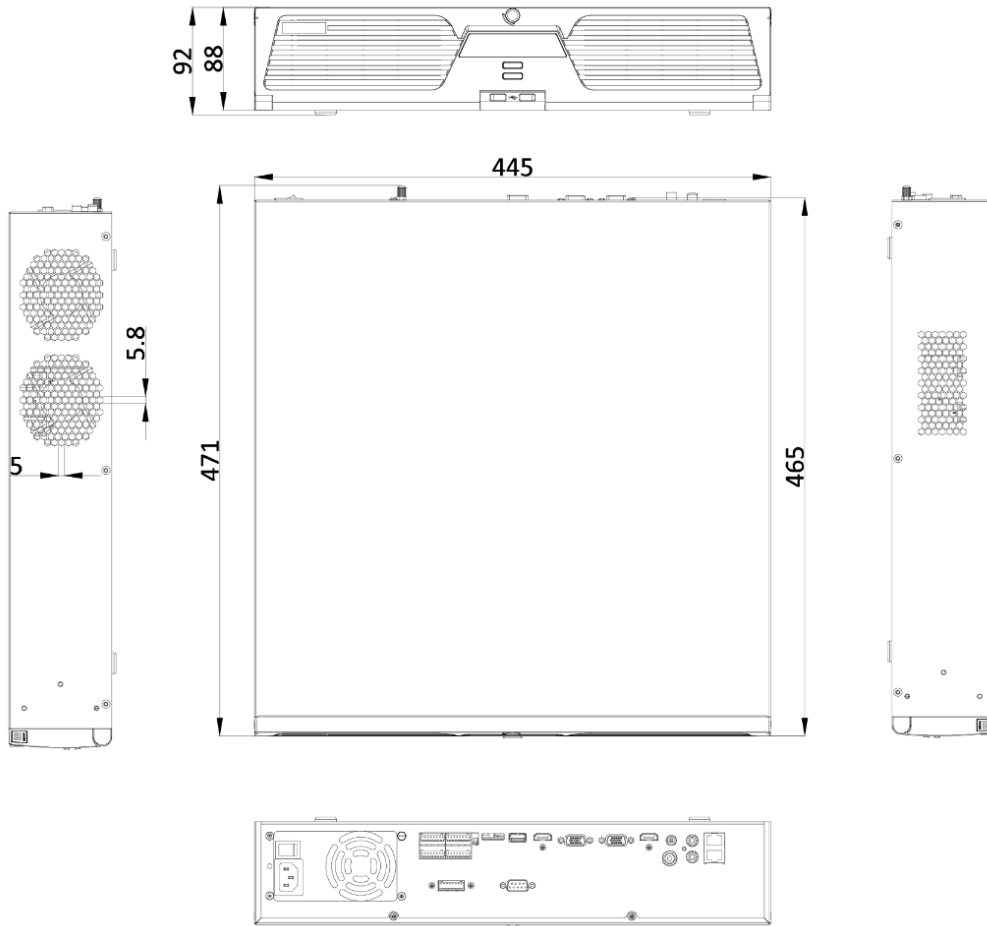
1: The device has three engine modes: facial recognition, perimeter protection, and video structuralization, among which no more two modes can be enabled at the same time. When two modes are enabled, capacity is as follows.

Perimeter protection: 8-ch

Video structuralization: 2-ch live video structuralization analysis and 4-ch face picture comparison alarm

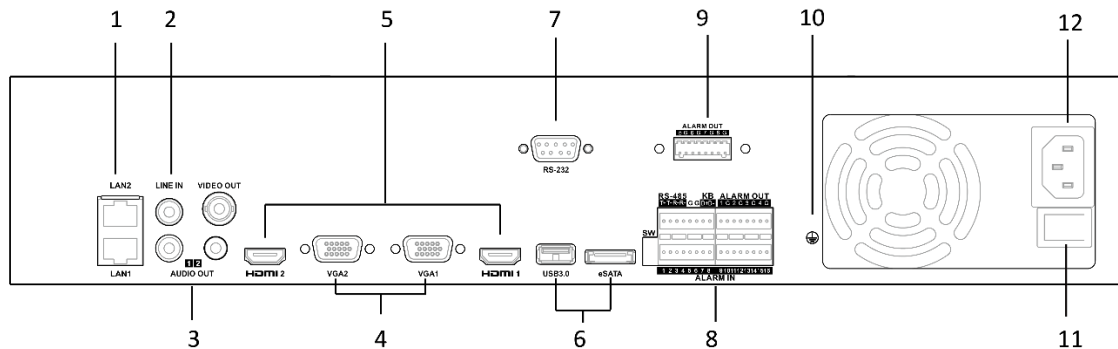
Facial recognition: 4-ch face capture and 8-ch face picture comparison alarm

Dimension



scale/1:1;Unit/mm

Physical Interface



| No. | Description | No. | Description |
|-----|-----------------------------|-----|--------------------------------|
| 1 | LAN1/LAN2 Interface | 7 | RS-232 Interface |
| 2 | LINE IN | 8 | ALARM IN/OUT, RS-485, Keyboard |
| 3 | AUDIO OUT | 9 | ALARM OUT |
| 4 | VGA1/VGA2 Interface | 10 | GND |
| 5 | HDMI1/HDMI2 Interface | 11 | Power Switch |
| 6 | USB 3.0 and eSATA Interface | 12 | 100 to 240 VAC Power Supply |

Available Model

iDS-9616NXI-I8/X, iDS-9632NXI-I8/X, iDS-9664NXI-I8/X

Distributed by



HIKVISION®

Headquarters

No.555 Qianmo Road, Binjiang District,
Hangzhou 310051, China
T +86-571-8807-5998
overseasbusiness@hikvision.com

Hikvision USA
T +1-909-895-0400
sales.usa@hikvision.com

Hikvision Australia
T +61-2-8599-4233
salesau@hikvision.com

Hikvision India
T +91-22-28469900
sales@pramahikvision.com

Hikvision Canada
T +1-866-200-6690
sales.canada@hikvision.com

Hikvision Thailand
T +662-275-9949
sales.thailand@hikvision.com

Hikvision Europe
T +31-23-5542770
sales.eu@hikvision.com

Hikvision Italy
T +39-0438-6902
info.it@hikvision.com

Hikvision Brazil
T +55 11 3318-0050
Latam.support@hikvision.com

Hikvision Turkey
T +90 [216]521 7070- 7074
sales.tr@hikvision.com

Hikvision Malaysia
T +601-7652-2413
sales.my@hikvision.com

Hikvision UK & Ireland
T +01628-902140
sales.uk@hikvision.com

Hikvision South Africa
Tel: +27 (10) 0351172
sale.africa@hikvision.com

Hikvision France
T +33(0)1-85-330-450
info.fr@hikvision.com

Hikvision Kazakhstan
T +7-727-9730667
nikia.panfilov@hikvision.ru

Hikvision Vietnam
T +84-974270888
sales.vt@hikvision.com

Hikvision UAE
T +971-4-4432090
salesme@hikvision.com

Hikvision Singapore
T +65-6684-4718
sg@hikvision.com

Hikvision Spain
T +34-91-737-16-55
info.es@hikvision.com

Hikvision Tashkent
T +7-99-87-1238-9438
uzb@hikvision.ru

Hikvision Hong Kong
T +852-2151-1761
info.hk@hikvision.com

Hikvision Russia
T +7-495-669-67-99
saleru@hikvision.com

Hikvision Korea
T +82-(0)31-731-8817
sales.korea@hikvision.com

Hikvision Poland
T +48-22-460-01-50
info.pl@hikvision.com

Hikvision Indonesia
T +62-21-2933759
Sales.Indonesia@hikvision.com

Hikvision Colombia
sales.colombia@hikvision.com

04221052001118