

SF10P-FHM

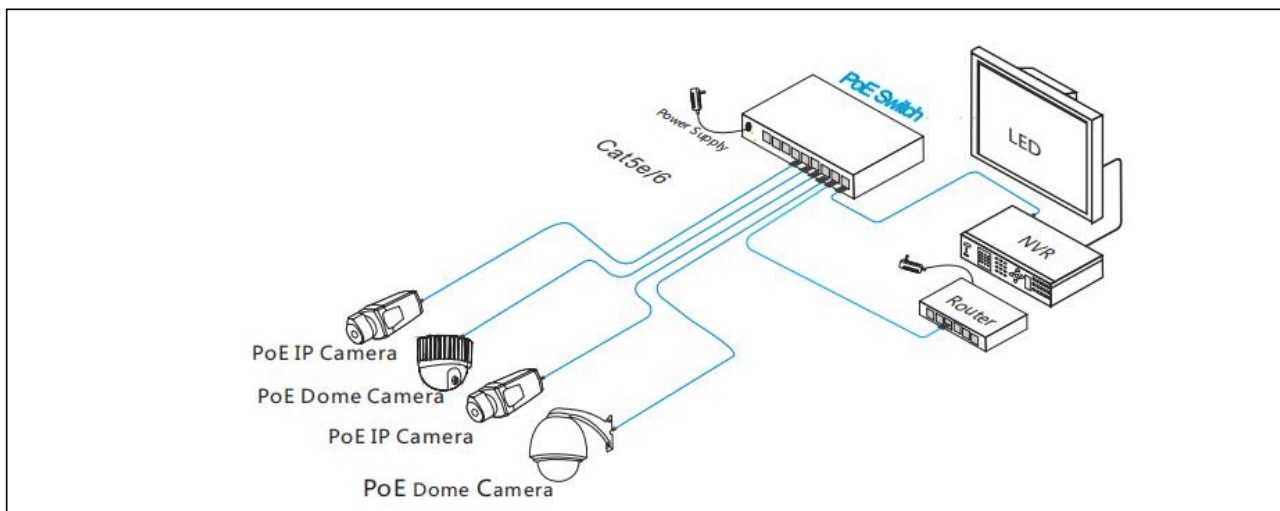


- Provides 8*10/100Base-TX PoE + 2*10/100Base-TX RJ45.
- IEEE802.3af/at, with PoE power budget of 120W.
- Three operating modes (DEFAULT, VLAN, CCTV).
- Supports desktop and wall-mounted installation.
- Plug and play, no more configuration required.

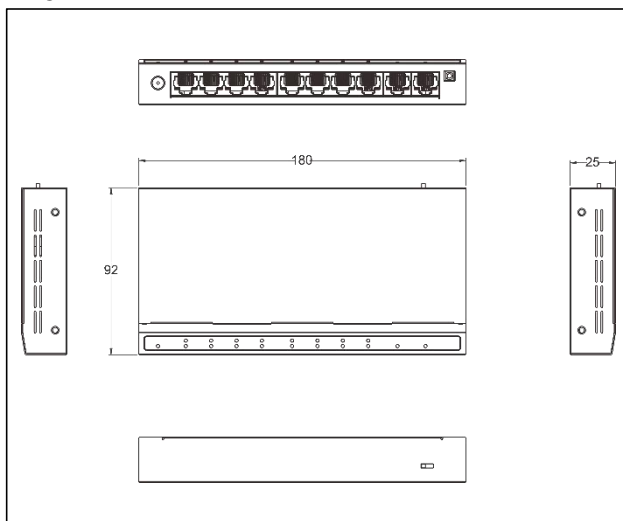
Overview

SF10P-FHM is an unmanaged PoE switch, which provides 8*10/100Base-TX PoE ports and 2*10/100Base-TX RJ45 uplink ports. The output PoE power of single port can be up to 30W, the total PoE power budget is 120W. Equipped with function of three working modes (DEFAULT, VLAN, CCTV) improves the transmit speed of cameras, makes it an ideal choice for application of IP-surveillance .

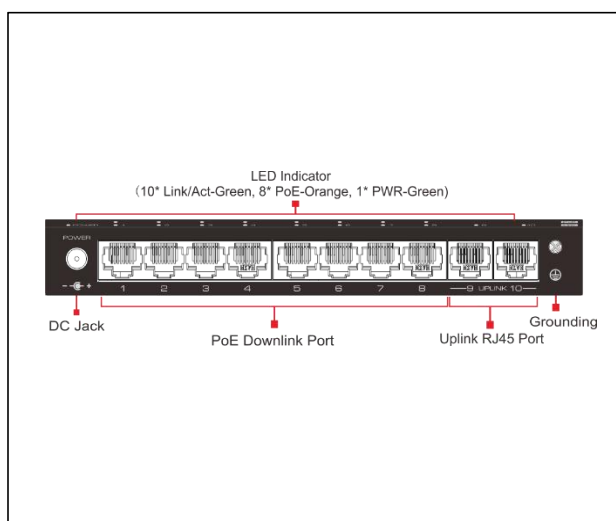
Application



Physical Features



Interface drawing



Specification

Model	SF10P-FHM
Ethernet Ports	8*10/100Base-TX (PoE)
	2*10/100Base-TX Ethernet Ports
Standards	IEEE 802.3, IEEE802.3u, IEEE 802.3x, IEEE802.3af, IEEE802.3at
Switching Capacity	2.0Gbps
Packet Forwarding Rate	1.49Mpps
Forwarding Modes	Store and Forward
MAC Table	1k
Three Working Modes	DEFAULT. All ports are free to communicate.
	VLAN. 1~8 ports are isolated from each other, but can communicate with uplink ports.
	CCTV. The transmission distance can be up to 250m, but the rate is limited to 10Mbps.
PoE Pin Assignment	1/2 (+), 3/6 (-)
PoE Power Output	Single port≤30W (DC 54V) Total PoE budget ≤120W
Surge Immunity	4kV, Standards IEC61000-4-5
ESD Protection	6kV contact discharge/8kV air discharge. Standards IEC61000-4-2
Input Voltage	DC 54V 2.20A
Power Consumption	<4W
Operating Temperature	0°C~40°C
Storage Temperature	-40°C~70°C
Operating Humidity	5%~95% (no condensation)
Dimensions (W*D*H)	180mm * 92mm * 25mm
Gross Weight	938.5g
Net Weight	295.2g
Certifications	CE, FCC, RoHS

Package List

Designation	Quantity
PoE Switch	1
Power Adapter	1
User Manual	1

Related Products

Designation	Model
5 Ports 10/100Mbps Unmanaged PoE Switch	SF5P-HM
6 Ports 10/100Mbps Unmanaged PoE Switch	SF6P-FHM