

12.8V12Ah

LFP Li-ion Battery



SAFETY

- + Cylindrical LiFePO₄ cells (32700-6Ah), High consistency, long cycle life and much more safety.
- + UN38.3, CE certification for system.
- + The cycle life over 2000 times @80%DOD

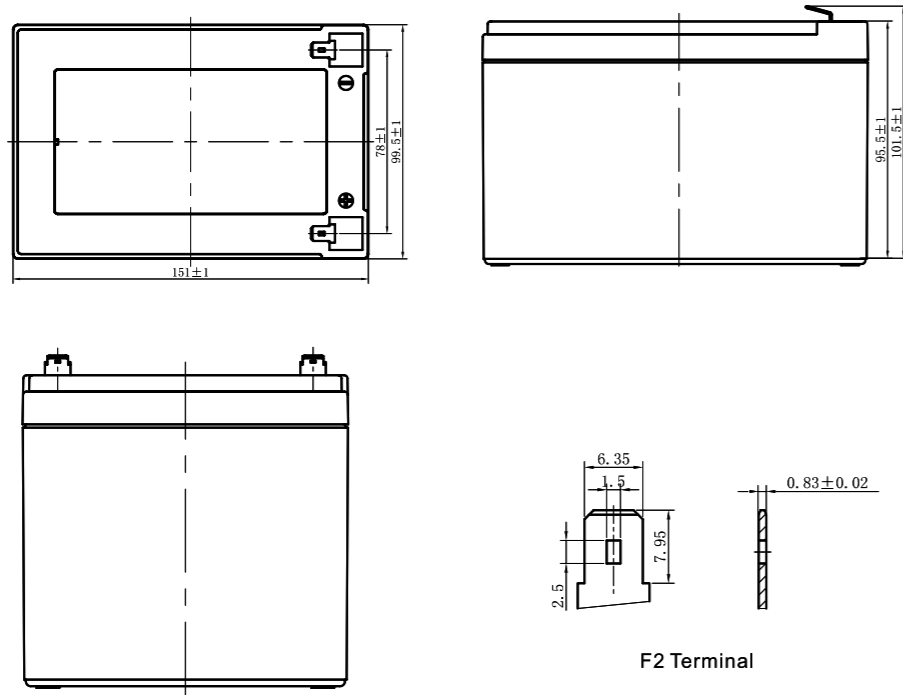
DESIGN

- + ABS container, replace VRLA battery perfectly.
- + Fast charge performance.
- + -20~+55° C widely temperature range.
- + Maintenance free.

BATTERY MANAGEMENT SYSTEM (BMS)

- + Integrated hardware BMS inside.
- + Independent protection for charge and discharge.
- + Over voltage, low voltage, over temperature and short circuit protection.

Dimension:



Unit: mm

12.8V12Ah

Specification

Model	R-LFP12.8V12Ah
Part Number	8010128001202
Nominal Voltage [V]	12.8
Nominal Capacity [Ah]	12
Total Energy [Wh]	153.6
Max. Charging Current [A]	12
Recommended Charging Current [A]	6
Charging Voltage [V]	14.6
Max. Discharging Current [A]	12
End of Discharge Voltage [V]	11.2
Pulse Discharge Current	30A @ 10s
Dimension [W*D*H, mm]	151*98*95
Weight [Kg]	1.50
Operation Humidity	0~95% RH (No condensing)
Operating Temperature Range	Charge: 0 ~ +50 °C ; Discharge: -20 ~ +55 °C
BMS Protection	Over charge Over discharge, Over temperature, Short circuit
Parallel Support	Yes, Max 2 Sets
Series Support	Yes, Max 4 Sets
Cycle Life	>2000
Designed Calendar Life	>10 Years
Certification	UN38.3, CE, MSDS

Note:
1. 80 % DOD and to 80% of initial capacity.

12.8V24Ah

LFP Li-ion Battery



SAFETY

- + Cylindrical LiFePO₄ cells (32700-6Ah), High consistency, long cycle life and much more safety.
- + UN38.3, CE certification for system.
- + The cycle life over 2000 times @80%DOD

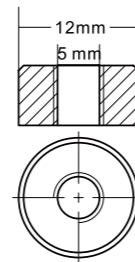
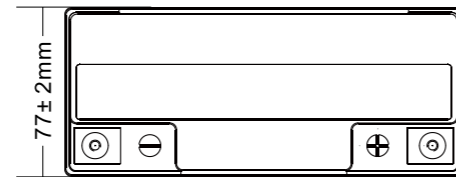
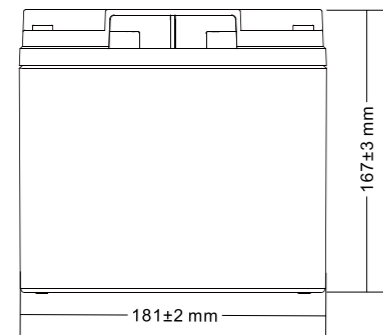
DESIGN

- + ABS container, replace VRLA battery perfectly.
- + Fast charge performance.
- + -20~+55° C widely temperature range.
- + Maintenance free.

BATTERY MANAGEMENT SYSTEM (BMS)

- + Integrated hardware BMS inside.
- + Independent protection for charge and discharge.
- + Over voltage, low voltage, over temperature and short circuit protection.

Dimension:



F13 Terminal

Unit: mm

12.8V24Ah

Specification

Model	R-LFP12.8V24Ah
Part Number	8010128002401
Nominal Voltage [V]	12.8
Nominal Capacity [Ah]	24
Total Energy [Wh]	307.2
Max. Charging Current [A]	24
Recommended Charging Current [A]	12
Charging Voltage [V]	14.6
Max. Discharging Current [A]	24
End of Discharge Voltage [V]	11.2
Pulse Discharge Current	50A @ 10s
Dimension [W*D*H, mm]	181*77*167
Weight [Kg]	3.80
Operation Humidity	0~95% RH (No condensing)
Operating Temperature Range	Charge: 0 ~ +50°C ; Discharge: -20 ~ +55°C
BMS Protection	Over charge Over discharge, Over temperature, Short circuit
Parallel Support	Yes, Max 2 Sets
Series Support	Yes, Max 4 Sets
Cycle Life	>2000
Designed Calendar Life	>10 Years
Certification	UN38.3, CE, MSDS

Note:
1. 80 % DOD and to 80% of initial capacity.

12.8V50Ah

LFP Li-ion Battery



SAFETY

- + Prismatic LiFePO₄ cells (50Ah), High consistency, long cycle life and much more safety.
- + UN38.3, CE certification for system.
- + The cycle life over 3000 times @80%DOD

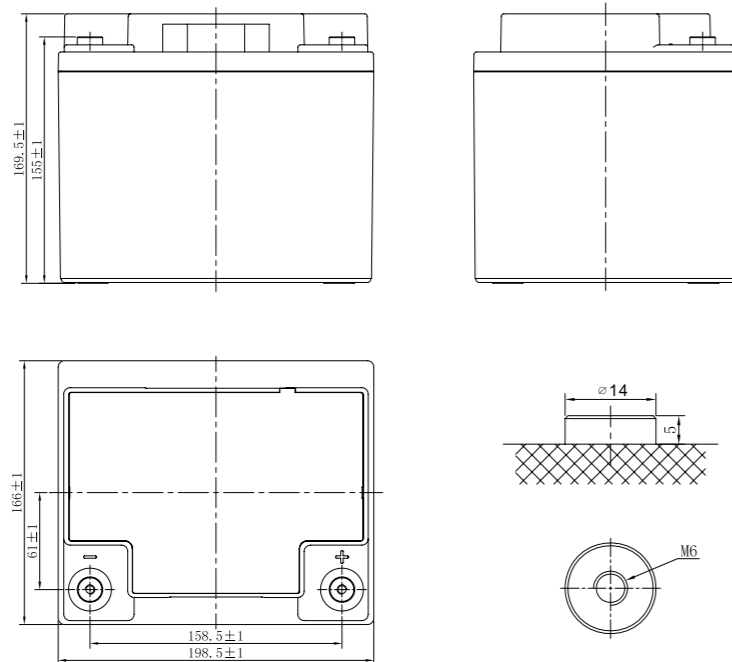
DESIGN

- + ABS container, replace VRLA battery perfectly.
- + Fast charge performance.
- + -20~+55° C widely temperature range.
- + Maintenance free.

BATTERY MANAGEMENT SYSTEM (BMS)

- + Integrated hardware BMS inside.
- + Independent protection for charge and discharge.
- + Over voltage, low voltage, over temperature and short circuit protection.

Dimension:



Unit: mm

12.8V50Ah

Specification

Model	R-LFP12.8V50Ah
Part Number	8010128005001
Nominal Voltage [V]	12.8
Nominal Capacity [Ah]	50
Total Energy [Wh]	640
Max. Charging Current [A]	50
Recommended Charging Current [A]	25
Charging Voltage [V]	14.6
Max. Discharging Current [A]	50
End of Discharge Voltage [V]	11.2
Pulse Discharge Current	100A @ 10s
Dimension [W*D*H, mm]	198*166*169
Weight [Kg]	6.50
Operation Humidity	0~95% RH (No condensing)
Operating Temperature Range	Charge: 0 ~ +50°C ; Discharge: -20 ~ +55°C
BMS Protection	Over charge Over discharge, Over temperature, Short circuit
Parallel Support	Yes, Max 2 Sets
Series Support	Yes, Max 4 Sets
Cycle Life	>3000
Designed Calendar Life	>10 Years
Certification	UN38.3, CE, MSDS

Note:
1. 80 % DOD and to 80% of initial capacity.