

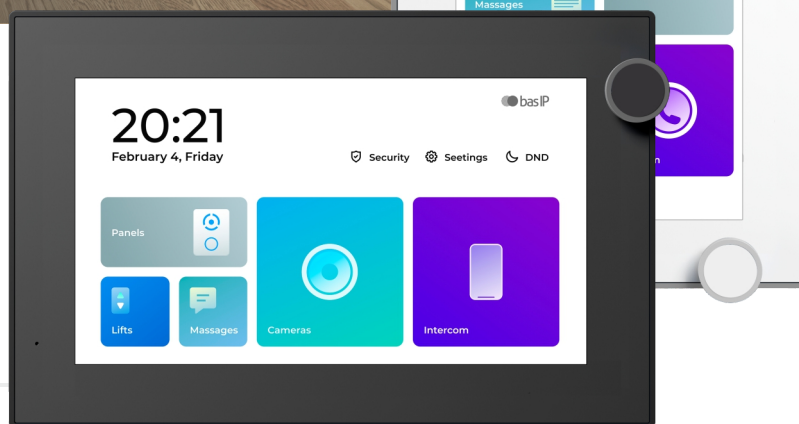


AZ-07LL

IP INDOOR VIDEO ENTRY PHONE

Description

7" IP video indoor monitor with overhead horizontal and vertical mounting options, the ability to control the lift, display messages from the management company, PoE, connection of 8 cameras, memory for photos/videos and an autoresponder. OS - Linux.















Specifications

Display	7" TFT LCD (capacitive touchscreen)
Screen resolution	800 x 480
Built-in camera	No
Power	PoE and + 12 V DC (PSU not included)
Power consumption	6 W, standby 2.5 W
Dimensions	195 x 127 x 27 mm
Colors	Black / White
Body	Plastic
Installation Type	Wall mount
Mounting options	Horizontal and vertical

Possibilities of connection

Number of individual panels	Up to 9 panels
Number of multi-apartment panels	Up to 9 panels
Connection of additional monitors	Up to 8 monitors
Memory function	Record photo into internal memory (64 photo)
Interface	Multi-language graphical and WEB interface
Number of IP cameras	Up to 8 cameras

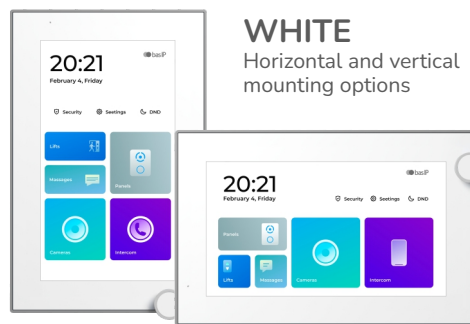
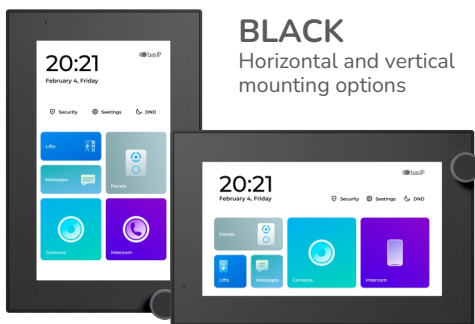
Main features

-  7" TFT display with capacitive touch
-  Record photo to internal memory
-  Screen Resolution 800x480
-  Support of receiving messages
-  Individual panels: up to 9 panels
-  Do Not Disturb mode
-  Multi-apartment panels: up to 9 panels
-  Silent mode
-  IP cameras: up to 8 cameras
-  Connection of the door bell
-  PoE and +12V DC
-  Horizontal and vertical mounting options

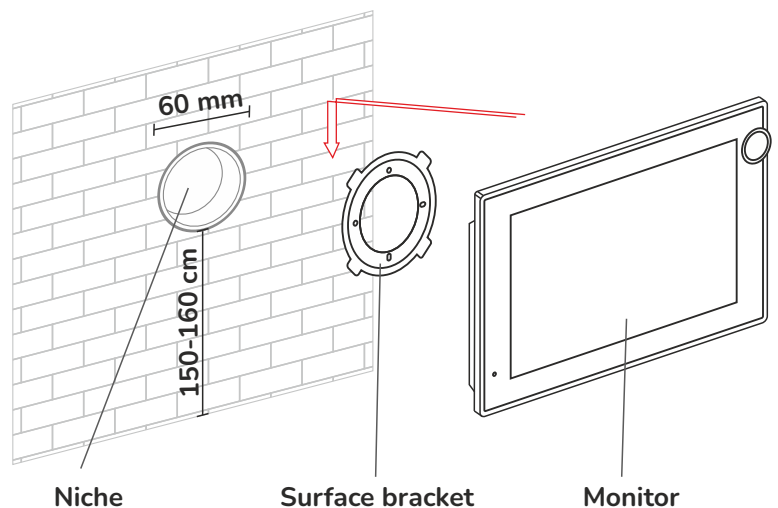
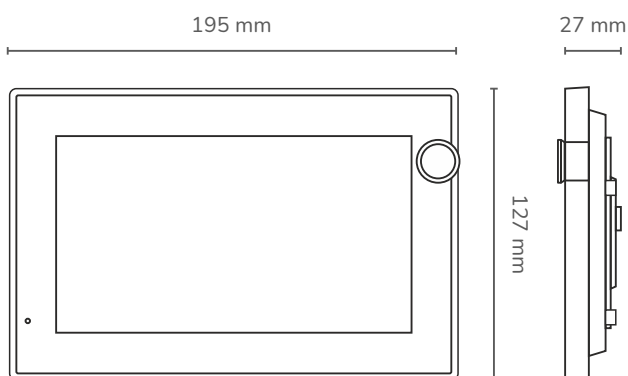
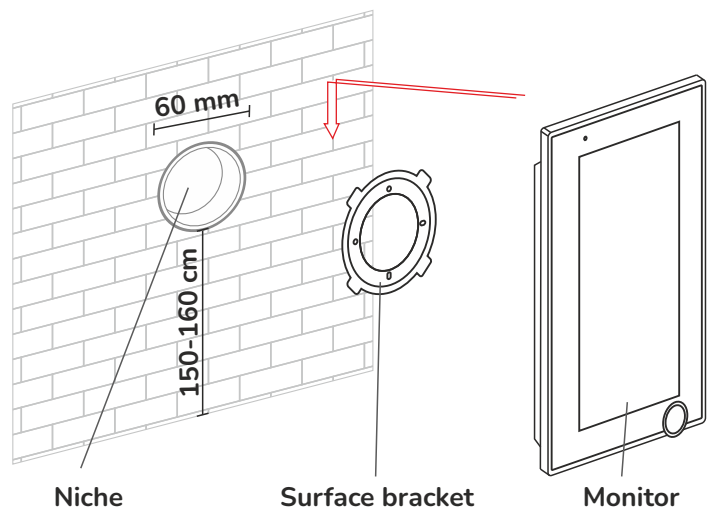
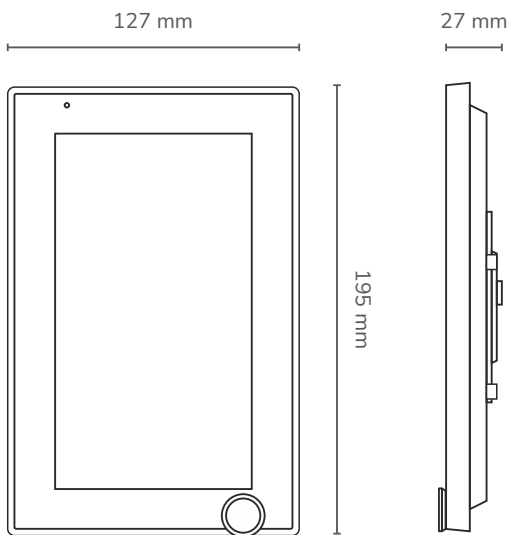
Functional capabilities

Intercom type	Audio Intercom (no built-in camera)
Support of receiving messages	Yes
Select the type of screensaver in standby mode	Single IP camera live viewing
Do Not Disturb	Yes, customizable by time
Silent mode	Yes
Software update	From the web interface From BAS-IP updates server

Color variations



Appearance and mechanical mounting



Vertical mounting

Horizontal mounting