

DS-2XS6F45G0-I(/4G) 4 MP Wildlife Network Camera



/4G Model

Without /4G Model



It can be installed in the wild environment for concealed observation and capture, and can detect the wild animals and their living habits to provide guidance for animal protection research.

- High-sensitivity PIR detector to realize accurate detection of wild animals and high-definition image acquisition with the detection range covering horizontal $90^{\circ} \pm 5^{\circ}$
- Ultra-low power consumption: support sleep mode and performance mode. In sleep mode, the standby time can be up to 125 days for /4G model and 210 days for without /4G model (10 snapshots a day for /4G model)
- High quality imaging with 4 MP resolution
- Hik-Connect cloud service and APP for remote management and views of devices
- Clear imaging against strong back light due to 120 dB true WDR technology
- Advanced infrared technology with IR distance up to 15 m
- Built-in memory card slot, support microSD/microSDHC/microSDXC card, up to 256 GB
- /4G model: supports LTE-TDD/LTE-FDD/WCDMA/GSM to realize wireless connection
- /4G model: supports GPS positioning
- Built-in microphone for real-time audio security

▪ Specification

Camera	
Image Sensor	1/3" Progressive Scan CMOS
Max. Resolution	2688 × 1520
Min. Illumination	Color: 0.005 Lux @ (F1.2, AGC ON), B/W: 0.001 Lux @ (F1.2, AGC ON), B/W: 0 Lux with IR
Shutter Time	1 s to 1/100,000 s
Day & Night	IR cut filter
Lens	
Focal Length & FOV	2.8 mm, horizontal FOV 102°, vertical FOV 55°, diagonal FOV 122°
Aperture	F1.4
Lens Mount	M12
Illuminator	
Supplement Light Type	IR
Supplement Light Range	Up to 15 m
IR Wavelength	-I: 850 nm, -I9: 940 nm
Smart Supplement Light	Yes
Video	
Main Stream	50 Hz: 12.5 fps (2688 × 1520, 1920 × 1080, 1280 × 720) 60 Hz: 15 fps (2688 × 1520, 1920 × 1080, 1280 × 720)
Sub-Stream	50 Hz: 12.5 fps (640 × 480, 640 × 360) 60 Hz: 15 fps (640 × 480, 640 × 360)
Third Stream	50 Hz: 1 fps (1280 × 720, 640 × 480) 60 Hz: 1 fps (1280 × 720, 640 × 480)
Video Compression	Main stream: H.265, Sub-stream: H.265, H.264, MJPEG, Third stream: H.265, H.264
Video Bit Rate	32 Kbps to 8 Mbps
H.264 Type	Baseline Profile, Main Profile, High Profile
H.265 Type	Main Profile
Bit Rate Control	CBR, VBR
Scalable Video Coding (SVC)	H.264 and H.265 encoding
Region of Interest (ROI)	4 fixed region(s) for main stream
Audio	
Environment Noise Filtering	Yes
Audio Sampling Rate	8 kHz/16 kHz/32 kHz/44.1 kHz/48 kHz
Audio Compression	G.711/G.722.1/G.726/MP2L2/PCM/MP3/AAC-LC
Audio Bit Rate	64 Kbps (G.711ulaw/G.711alaw)/16 Kbps (G.722.1)/16 Kbps (G.726)/32 to 192 Kbps (MP2L2)/8 to 320 Kbps (MP3)/16 to 64 Kbps (AAC-LC)
Audio Type	Mono sound
Network	
Simultaneous Live View	Up to 6 channels
API	Open Network Video Interface (Profile S, Profile G) ,ISAPI, SDK, ISUP
Protocols	TCP/IP, ICMP, HTTP, HTTPS, FTP, DHCP, DNS, DDNS, RTP, RTSP, RTCP, NTP, UPnP, SMTP, SNMP, IGMP, 802.1X, QoS, IPv6, Bonjour, UDP

User/Host	Up to 32 users 3 user levels: administrator, operator, and user
Network Storage	NAS (NFS, SMB/CIFS), Auto Network Replenishment (ANR), Together with high-end Hikvision memory card, memory card encryption and health detection are supported.
Client	iVMS-4200, Hik-Connect
Web Browser	Plug-in required live view: IE10, IE11, Plug-in free live view: Chrome 57.0+, Firefox 52.0+, Local service: Chrome 57.0+, Firefox 52.0+, Safari12+
Mobile Communication	
Frequency	/4G model: LTE-TDD Band 38/40/41 LTE-FDD Band 1/3/5/7/8/20/28 WCDMA Band 1/5/8 GSM 850/900/1800MHz
Standard	/4G model: LTE-TDD/LTE-FDD/WCDMA/GSM
Image	
Day/Night Switch	Day, Night, Auto, Schedule
Wide Dynamic Range (WDR)	120 dB
Picture Overlay	LOGO picture can be overlaid on video with 128 × 128 24 bit bmp format.
Image Enhancement	BLC, HLC, defog, 3D DNR
Image Parameters Switch	Yes
Image Settings	Saturation, brightness, contrast, sharpness, AGC, white balance, adjustable by client software or web browser
SNR	≥ 52 dB
Privacy Mask	Yes
PIR	
PIR Range	Up to 15 m
PIR Angle	Horizontal: 90° ± 5°, vertical: 40° ± 5°
Satellite Positioning	
Satellite Positioning Detection	Support GPS and searching longitude and latitude of the device
Interface	
Built-in Microphone	1 built-in microphone(s)
On-Board Storage	Built-in memory card slot, support microSD/microSDHC/microSDXC card, up to 256 GB
Ethernet Interface	1 six-core 1.25 mm interface (it can be transferred as 1 12 VDC coaxial interface and 1 RJ 45 10 m/100 m self-adaptive Ethernet port)
Reset Key	Yes, Press to switch between performance mode and proactive mode. Hold the button for 10 sec to restore to defaults.
Event	
Basic Event	Motion detection, video tampering alarm, exception
Smart Event	Line crossing detection, intrusion detection, region entrance detection, region exiting detection, Face detection

Linkage	Upload to FTP/NAS/memory card,notify surveillance center,send email,trigger recording,trigger capture, send message
General	
Power	6 to 15 VDC, 0.82 to 0.33 A, max. 4.9 W, C0: shrapnel, dry cell (10, 5AA dry cell, 1.5 V)
General Function	Heartbeat,one-key reset,anti-banding,password protection,watermark, IP address filter
Material	Plastic
Dimension	With /4G model: with antennas folded: 171.5 mm × 139.7 mm × 86.9 mm (6.8" × 5.5" × 3.4"), with antennas extending: 283.4 mm × 139.7 mm × 86.9 mm (11.2" × 5.5" × 3.4"); Without /4G model: 171.5 mm × 117.3 mm × 86.9 mm (6.8" × 4.6" × 3.4")
Package Dimension	260 mm × 217 mm × 241 mm (10.2" × 8.5" × 9.5")
Weight	Approx. 0.61 kg (1.2 lb.)
With Package Weight	C0: approx. 1.34 kg (3.0 lb.), C1: approx. 2.47 kg (5.4 lb.), C2: approx. 2.82 kg (6.2 lb.)
Storage Conditions	-20 °C to 60 °C (-4 °F to 140 °F). Humidity 95% or less (non-condensing)
Startup and Operating Conditions	C1/C2: -20 °C to 60 °C (-4 °F to 140 °F). Humidity 95% or less (non-condensing), C0: -10 °C to 60 °C (-14 °F to 140 °F). Humidity 95% or less (non-condensing)
Battery	
Battery Type	C1/C2: chargeable lithium battery, C0: 5AA dry cell
Capacity	C1/C2: 9.4 Ah
Battery Voltage	C1/C2: Rated voltage: 7.2 VDC Charging voltage: 8.4 VDC Discharging cut-off voltage: 5.6 VDC C0: Rated voltage: 15 VDC Discharging cut-off voltage: 8 VDC
Operating Temperature	C1/C2: -20 °C to 60 °C (-4 °F to 140 °F) C0: -10 °C to 60 °C (-14 °F to 140 °F)
Cycle Lifetime	Cycle lifetime is calculated under the condition that the camera captures pictures 10 times per day (9 times during the day and 1 time at night) with the ambient temperature at 25 °C. With /4G model: C1/C: 125 days C0: 30 days Without /4G model: C1/C2: 210 days C0: 51 days For C1 and C2 models, make sure the battery is fully charged before using the device.
Approval	
Protection	IP66: IEC 60529-2013, For the lens: IP 67: IEC 60529-2013

▪ Typical Application

Hikvision products are classified into three levels according to their anti-corrosion performance. Refer to the following description to choose for your using environment.

This model has NO SPECIFIC PROTECTION.

Level	Description
Top-level protection	Hikvision products at this level are equipped for use in areas where professional anti-corrosion protection is a must. Typical application scenarios include coastlines, docks, chemical plants, and more.
Moderate protection	Hikvision products at this level are equipped for use in areas with moderate anti-corrosion demands. Typical application scenarios include coastal areas about 2 kilometers (1.24 miles) away from coastlines, as well as areas affected by acid rain.
No specific protection	Hikvision products at this level are equipped for use in areas where no specific anti-corrosion protection is needed.

▪ Available Model

DS-2XS6F45G0-IC0/4G (2.8 mm)

DS-2XS6F45G0-IC1/4G (2.8 mm)

DS-2XS6F45G0-IC2/4G (2.8 mm)

DS-2XS6F45G0-IC0 (2.8 mm)

DS-2XS6F45G0-IC1 (2.8 mm)

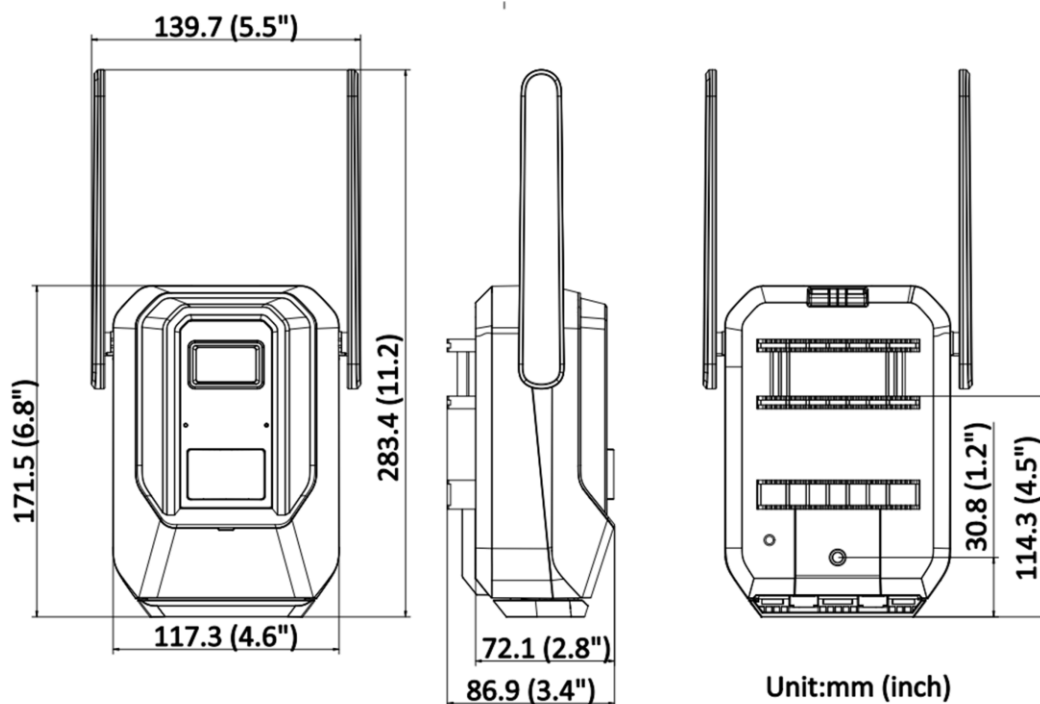
DS-2XS6F45G0-I9C1/4G(2.8mm)

**C0: 1 strap + 1 dry cell compartment + 0 chargeable lithium battery + 0 charger + 0 charging cable*

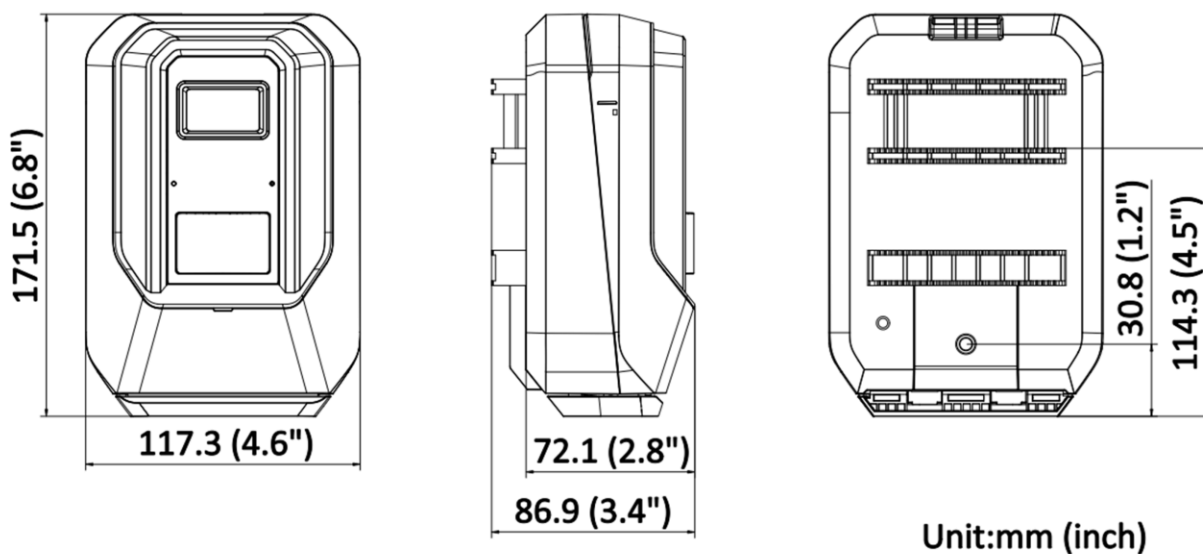
**C1: 1 strap + 0 dry cell compartment + 1 chargeable lithium battery + 1 charger + 1 charging cable*

**C2: 1 strap + 0 dry cell compartment +2 chargeable lithium batteries + 1 charger + 1 charging cable*

▪ **Dimension**



With /4G Model



Without /4G Model

Headquarters

No.555 Qianmo Road, Binjiang District,
Hangzhou 310051, China
T +86-571-8807-5998
www.hikvision.com



Follow us on social media to get the latest product and solution information.

